

SUZUKI

SUZUKI

PARTS CATALOGUE

DS250RLM4

(MB8EL11FZ0)

DS250RLM4



V-STRON SX

P24

2024-03

1ST EDITION

INFORMATION
ILLUSTRATION INDEX

1

ENGINE
TRANSMISSION

2

ELECTRICAL

3

BODY

4

PARTS NUMBER INDEX

5

FIG. NO.	TITLE	ADDRESS NO.
101A	GASKET SET	1-B-2
102A	CYLINDER HEAD COVER	1-B-3
103A	CYLINDER HEAD	1-B-4
107A	CYLINDER	1-B-5
108A	CRANKCASE	1-B-6
112A	CRANKCASE COVER	1-B-7
120A	CRANKSHAFT	1-B-8
120A	CRANKSHAFT	1-B-9
122A	STARTER CLUTCH	1-B-10
124A	CRANK BALANCER	1-B-11
126A	CAMSHAFT/VALVE	1-B-12
126A	CAMSHAFT/VALVE	1-B-13
126A	CAMSHAFT/VALVE	1-B-14
127A	CAM CHAIN	1-C-2
140A	THROTTLE BODY	1-C-3
155A	AIR CLEANER	1-C-4
163A	MUFFLER	1-C-5
170A	OIL PUMP	1-C-6
172A	FUEL PUMP	1-C-7
178A	OIL COOLER	1-C-8
201A	CLUTCH	1-C-9
206A	TRANSMISSION	1-C-10
212A	GEAR SHIFTING	1-C-11
212A	GEAR SHIFTING	1-C-12
301A	STARTING MOTOR	1-C-13
303A	MAGNETO	1-C-14
310A	BATTERY	1-D-2
311A	STARTOR RELAY	1-D-3
313A	RECTIFIER	1-D-4
316A	IGNITION COIL	1-D-5
322A	ELECTRIC POWER CONTROL UNIT	1-D-6
330A	SPEEDOMETER	1-D-7
333A	HEADLAMP	1-D-8
334A	URNSIGNAL LAMP	1-D-9
339A	REAR COMBINATION LAMP	1-D-10
350A	WIRING HARNESS	1-D-11
352A	LOCK SET	1-D-12
355A	HANDLE SWITCH	1-D-13
401A	FRAME	1-D-14
406A	HOLDER	1-E-2
407A	STAND	1-E-3

FIG. NO.	TITLE	ADDRESS NO.
412A	CARRIER	1-E-4
415A	FOOTREST	1-E-5
420A	FUEL TANK	1-E-6
423A	FUEL TANK COVER	1-E-7
427A	EVAP SYSTEM	1-E-8
445A	FRAME COVER	1-E-9
446A	FRAME LOWER COVER	1-E-10
460A	FRONT FENDER	1-E-11
462A	HANDLEBAR	1-E-12
464A	REAR VIEW MIRROR	1-E-13
466A	CONTROL CABLE	1-E-14
467A	HANDLE LEVER	1-F-2
472A	KNUCKLE COVER	1-F-3
474A	REAR FENDER	1-F-4
481A	COWLING BODY	1-F-5
481A	COWLING BODY	1-F-6
483A	UNDER COWLING	1-F-7
485A	SIDE COWLING	1-F-8
485A	SIDE COWLING	1-F-9
496A	LABEL	1-F-10
497A	MANUAL/TOOLS	1-F-11
505A	SEAT	1-F-12
521A	FRONT FORK DAMPER	1-F-13
521A	FRONT FORK DAMPER	1-F-14
524A	STEERING STEM	1-G-2
530A	FRONT WHEEL	1-G-3
533A	HYDRAULIC UNIT	1-G-4
535A	FRONT CALIPER	1-G-5
536A	FRONT BRAKE HOSE	1-G-6
537A	FRONT MASTER CYLINDER	1-G-7
541A	REAR SWINGINGARM	1-G-8
542A	CHAIN CASE	1-G-9
545A	REAR SHOCK ABSORBER	1-G-10
550A	REAR WHEEL	1-G-11
555A	REAR CALIPER	1-G-12
558A	REAR MASTER CYLINDER	1-G-13

PREFACE

When it becomes necessary to replace parts on SUZUKI MOTORCYCLES, always use SUZUKI GENUINE PARTS which have passed a strict inspection which guarantees quality and performance.

This parts catalogue covers the list of all service parts for DS250RLM4.

INSTRUCTIONS FOR QUOTING THE CATALOGUE

1. DIMENSIONS

Dimensions of the parts in this catalogue are indicated in unit millimeters.

2. ABBREVIATIONS

Abbreviations used in this catalogue are as follows:

AR	: As required	NT	: Number of teeth
ASSY	: Assembly	OPT	: Optional
E.NO.	: Engine number	OS	: Over size
F.NO.	: Frame number	STD	: Standard
D	: Diameter of material	T	: Thickness
ID	: Inside diameter	US	: Under size
OD	: Outside diameter	W	: Width
L	: Length		
LH	: Left hand side		
RH	: Right hand side		
~100045	: Up to F.NO. A100-100045		
100046~	: From F.NO. A100-100046		

12 x 34 x 5.6.....
| | |
ID OD T(or W,L)

Figures in the description column show the dimensions of parts.

→ 12345-56781 (Parts No.): indicates that the parts number was changed to 12345-56781 and the new parts are interchangeable with the former ones but the former ones are not interchangeable with new ones.

← 12345-56781 (Parts No.): indicates that the former and new parts are interchangeable with each other and both are usable.

3. INNER PARTS OF ASSEMBLY

Part name with a dot (.) in front as shown in the description column indicates the component of the assembly also available individually.

4. MODIFICATION NOTICE

A parts bulletin will be sent to you on all occasions when changes in parts occur, including interchangeable modifications between new parts and old ones.

5. NOTE

5-1. There are some different parts from those of production models among spare parts for the administrative reasons and common use of them with other models.

5-2. In respect of rubber hoses and vinyl tubes, please be sure to use them by cutting off according to the length mentioned on parts catalogue or what is actually required on the vehicle.

5-3. Note that the drawings on the illustration page are for ready reference of spare parts number, not to be used as an assembly manual.
When assembling, use "SUZUKI SERVICE MANUAL".

6. SPECIFICATION CODE

This catalogue contains the parts for the model designed for the following spec.; spec. code : P24.

7. SERIAL FRAME NUMBER

DS250RLM4 : MB8EL11FZ08100410~

**COLOUR CHART
TABLEAU COULEURS**

COLOR NO. NO DE COULEUR	COLOUR DESCRIPTION DESCRIPTION DE COULEUR	COLOR NO. NO DE COULEUR	COLOR DESCRIPTION DESCRIPTION DE COULEUR
AA3	YLF,YVB	019	BLACK
AJM	YVB,YHG	114	PERMANENT GREEN
CC7	QVN,YVB	20H	WARM SILVER METALLIC
CDC	QV4,QV5	28W	SPECIAL WHITE
CDT	YKY,YHG,YU1	291	BLACK (SEMI-GLOSS)
CDU	YVZ,YHG,YVB		
CDV	YVB,YHG,QVN		
CDW	YVB,YKY,YU1		
CDY	019,QVN		
CDZ	YKY,YU1		
CD1	20H,YU1		
CD2	YLF,QVN		
GY8	YU1,019		
JSP	YVB,YVZ		
QC3	MET.MAT BLACK		
QVN	PRL.BLAZE ORANGE		
QV4	LTHR.BLACK		
QV5	LTHR.GRAY		
YHG	00RT GRAY METALLIC		
YKV	MET.MAT BLACK NO.2		
YKY	PEARL VIGOR BLUE		
YLF	THUNDER GRAY METALLIC		
YU1	CHAMPION YELLOW		
YVB	GLASS SPARKLE BLACK		
YVZ	PEARL MIRARED		

MILLIMETER → INCH CONVERSION CHART

	0	1	2	3	4	5	6	7	8	9
00	.000	.039	.079	.118	.157	.197	.236	.276	.315	.354
10	.394	.433	.472	.512	.551	.591	.630	.669	.709	.748
20	.787	.827	.866	.906	.945	.984	1.024	1.063	1.102	1.142
30	1.181	1.220	1.260	1.299	1.339	1.378	1.417	1.457	1.496	1.535
40	1.575	1.614	1.654	1.693	1.732	1.772	1.811	1.850	1.890	1.929
50	1.969	2.008	2.047	2.087	2.126	2.165	2.205	2.214	2.283	2.323
60	2.362	2.402	2.441	2.480	2.520	2.559	2.598	2.638	2.677	2.717
70	2.756	2.795	2.835	2.874	2.913	2.953	2.992	3.031	3.071	3.110
80	3.150	3.189	3.228	3.268	3.307	3.346	3.386	3.426	3.465	3.504
90	3.543	3.583	3.622	3.662	3.701	3.740	3.780	3.819	3.858	3.896

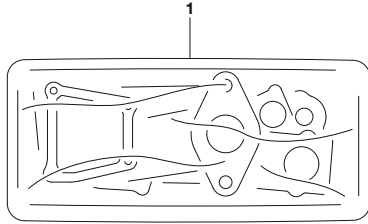
How to read

	0	1	2	3	4
00	---	---	---	---	---
10	---	---	---	---	---
20	---	---	---	0.906	---
30	---	---	---	---	---

23 millimeters equal 0.906 inch

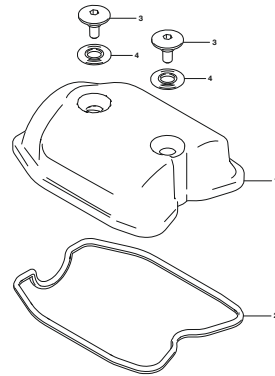
Contents are subject to change without notice or obligation.

FIG. 101A GASKET SET (B-2)



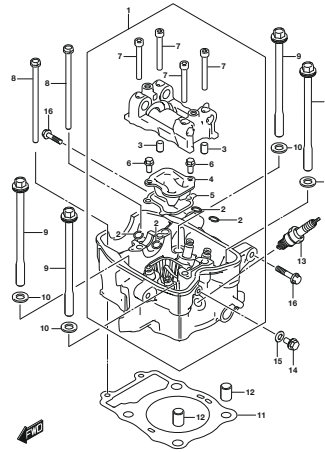
DS250RLM4_P24_101A
GASKET SET

FIG. 102A CYLINDER HEAD COVER (B-3)



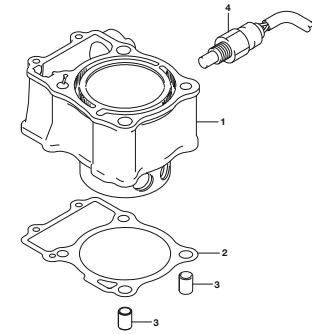
DS250RLM4_P24_102A
CYLINDER HEAD COVER

FIG. 103A CYLINDER HEAD (B-4)



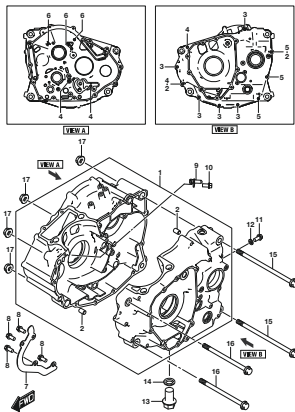
DS250RLM4_P24_103A
CYLINDER HEAD

FIG. 107A CYLINDER (B-5)



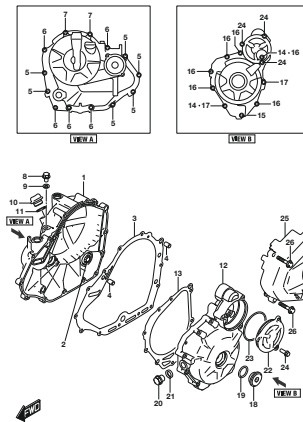
DS250RLM4_P24_107A
CYLINDER

FIG. 108A CRANKCASE (B-6)



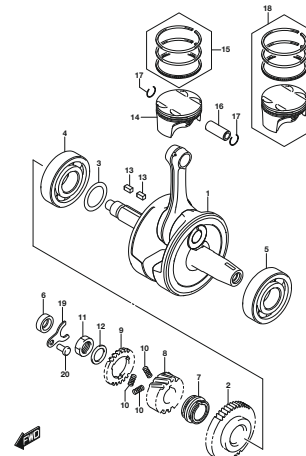
DS250RLM4_P24_108A
CRANKCASE

FIG. 112A CRANKCASE COVER (B-7)



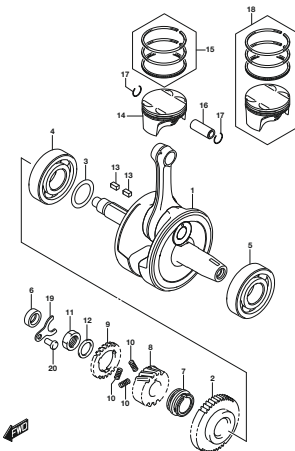
DS250RLM4_P24_112A
CRANKCASE COVER

FIG. 120A CRANKSHAFT (B-8)



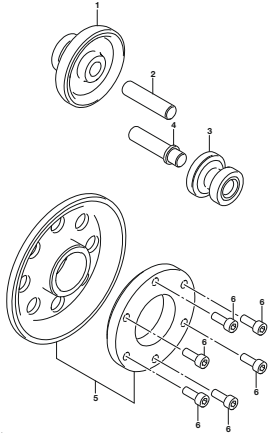
DS250RLM4_P24_120A
CRANKSHAFT

FIG. 120A CRANKSHAFT (B-9)



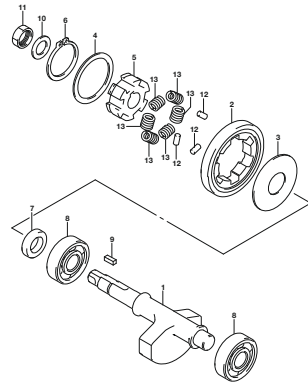
DS250RLM4_P24_120A
CRANKSHAFT

FIG. 122A STARTER CLUTCH (B-10)



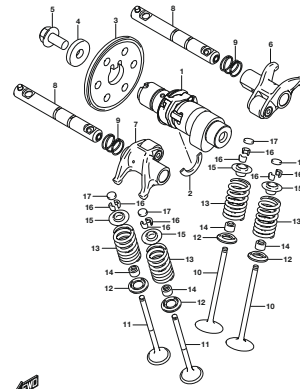
DS250RLM4_P24_122A
STARTER CLUTCH

FIG. 124A CRANK BALANCER (B-11)



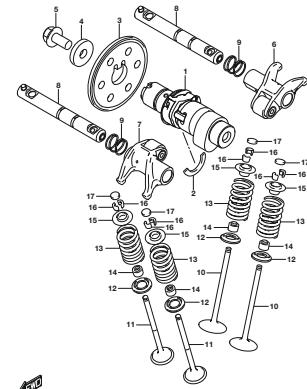
DS250RLM4_P24_124A
CRANK BALANCER

FIG. 126A CAMSHAFT/VALVE (B-12)



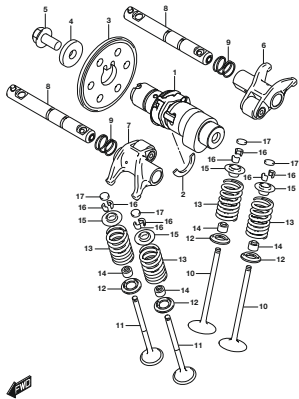
DS250RLM4_P24_126A
CAMSHAFT/VALVE

FIG. 126A CAMSHAFT/VALVE (B-13)



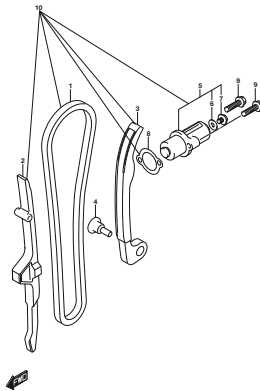
DS250RLM4_P24_126A
CAMSHAFT/VALVE

FIG. 126A CAMSHAFT/VALVE (B-14)



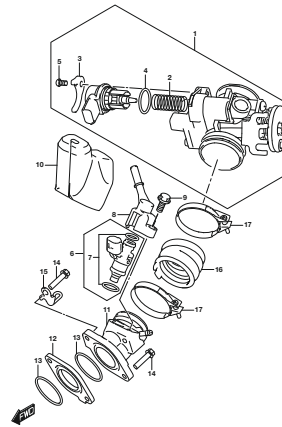
DS250RLM4_P24_126A
CAMSHAFT/VALVE

FIG. 127A CAM CHAIN (C-2)



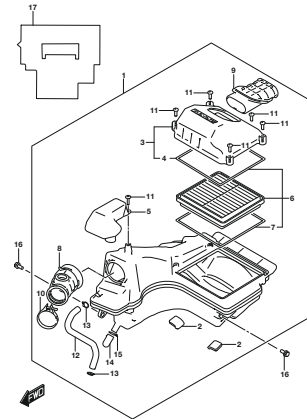
DS250RLM4_P24_127A
CAM CHAIN

FIG. 140A THROTTLE BODY (C-3)



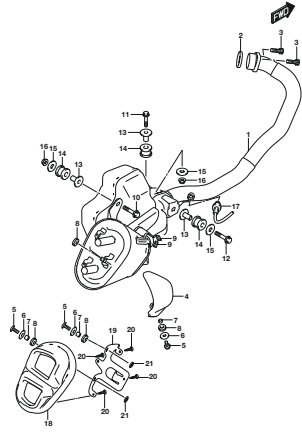
DS250RLM4_P24_140A
THROTTLE BODY

FIG. 155A AIR CLEANER (C-4)



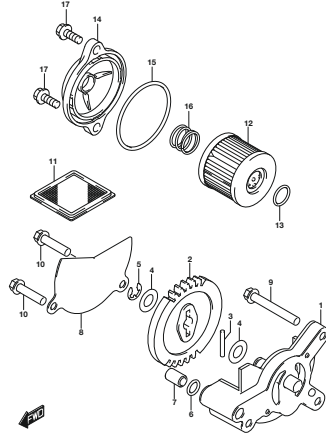
DS250RLM4_P24_155A
AIR CLEANER

FIG. 163A MUFFLER (C-5)



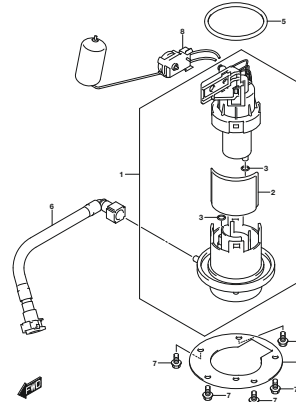
DS250RLM4_P24_163A
MUFFLER

FIG. 170A OIL PUMP (C-6)



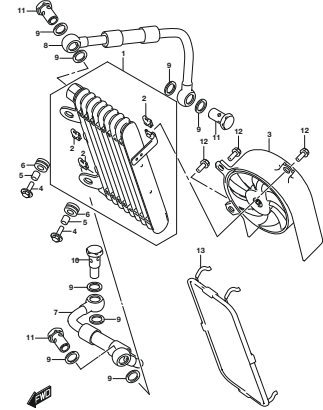
DS250RLM4_P24_170A
OIL PUMP

FIG. 172A FUEL PUMP (C-7)



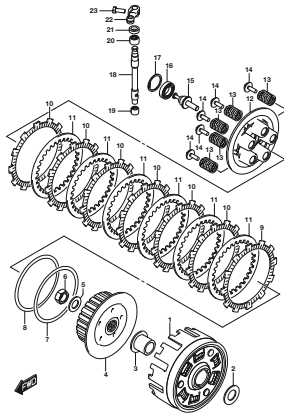
DS250RLM4_P24_172A
FUEL PUMP

FIG. 178A OIL COOLER (C-8)



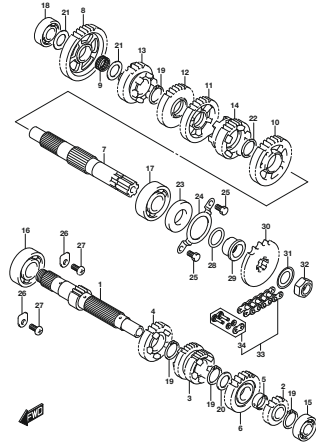
DS250RLM4_P24_178A
OIL COOLER

FIG. 201A CLUTCH (C-9)



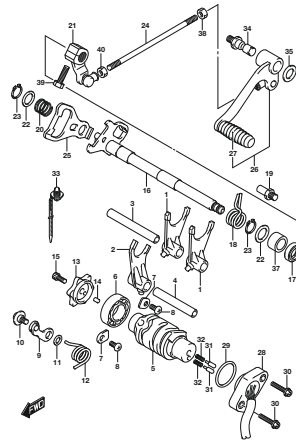
DS250RLM4_P24_201A
CLUTCH

FIG. 206A TRANSMISSION (C-10)



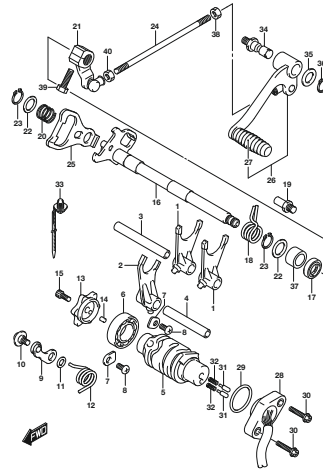
DS250RLM4_P24_206A
TRANSMISSION

FIG. 212A GEAR SHIFTING (C-11)



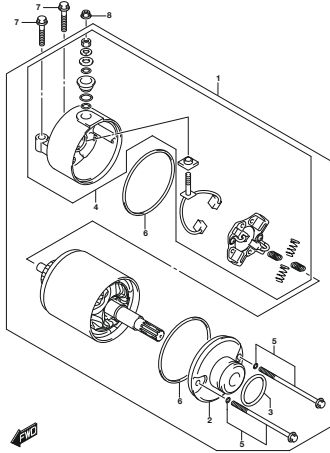
DS250RLM4_P24_212A
GEAR SHIFTING

FIG. 212A GEAR SHIFTING (C-12)



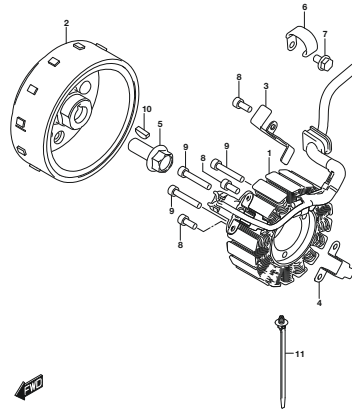
DS250RLM4_P24_212A
GEAR SHIFTING

FIG. 301A STARTING MOTOR (C-13)



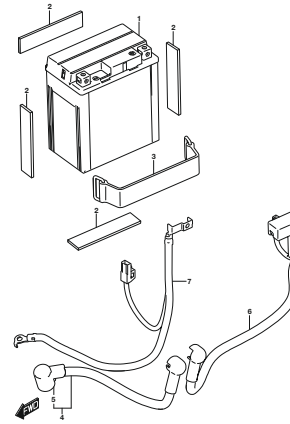
DS250RLM4_P24_301A
STARTING MOTOR

FIG. 303A MAGNETO (C-14)



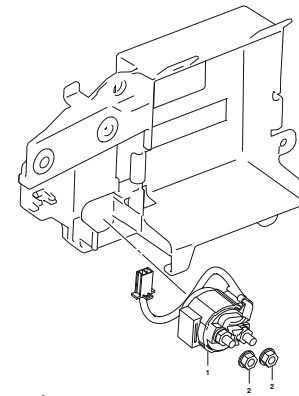
DS250RLM4_P24_303A
MEGNETO

FIG. 310A BATTERY (D-2)



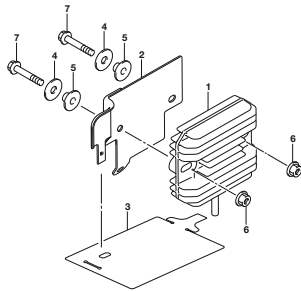
DS250RLM4_P24_310A
BATTERY

FIG. 311A STARTOR RELAY (D-3)



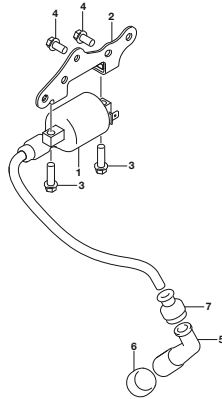
DS250RLM4_P24_311A
STARTOR RELAY

FIG. 313A RECTIFIER (D-4)



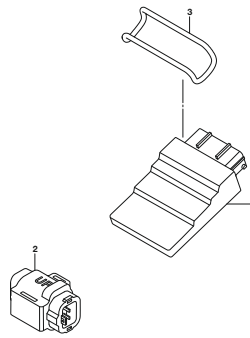
DS250RLM4_P24_313A
RECTIFIER

FIG. 316A IGNITION COIL (D-5)



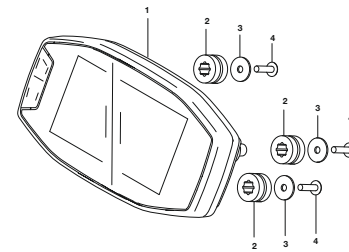
DS250RLM4_P24_316A
IGNITION COIL

FIG. 322A ELECTRIC POWER CONTROL UNIT (D-6)



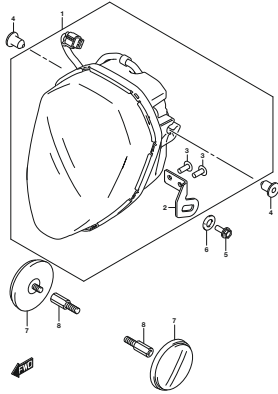
DS250RLM4_P24_322A
ELECTRIC POWER CONTROL UNIT

FIG. 330A SPEEDOMETER (D-7)



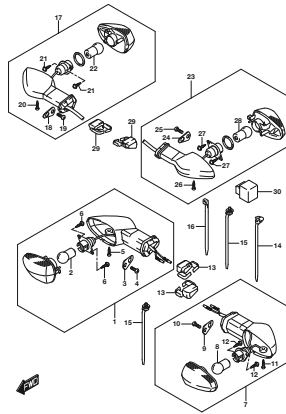
DS250RLM4_P24_330A
SPEEDOMETER

FIG. 333A HEADLAMP (D-8)



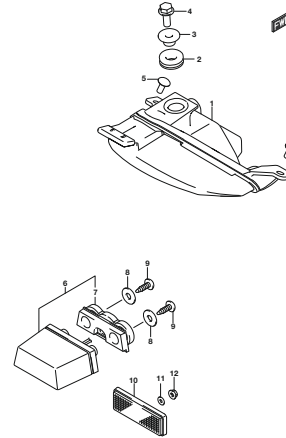
DS250RLM4_P24_333A
HEADLAMP

FIG. 334A TURNSIGNAL LAMP (D-9)



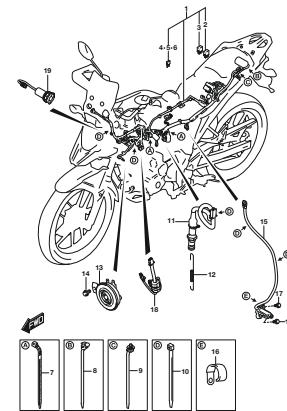
DS250RLM4_P24_334A
TURNSIGNAL LAMP

FIG. 339A REAR COMBINATION LAMP (D-10)



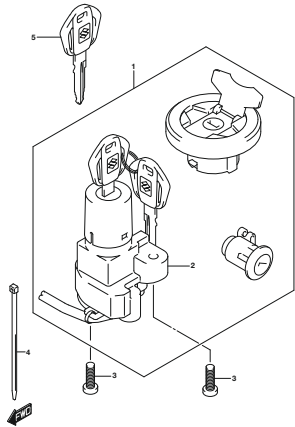
DS250RLM4_P24_339A
REAR COMBINATION LAMP

FIG. 350A WIRING HARNESS (D-11)



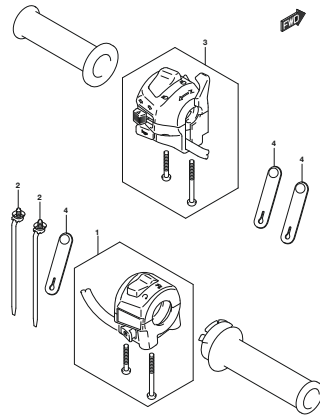
DS250RLM4_P24_350A
WIRING HARNESS

FIG. 352A LOCK SET (D-12)



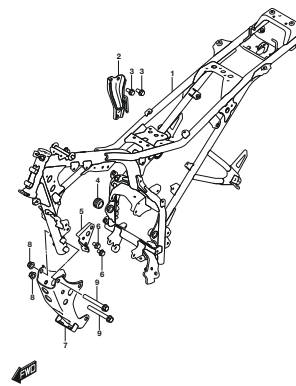
DS250RLM4_P24_352A
LOCK SET

FIG. 355A HANDLE SWITCH (D-13)



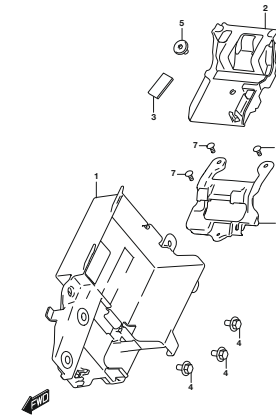
DS250RLM4_P24_355A
HANDLE SWITCH

FIG. 401A FRAME (D-14)



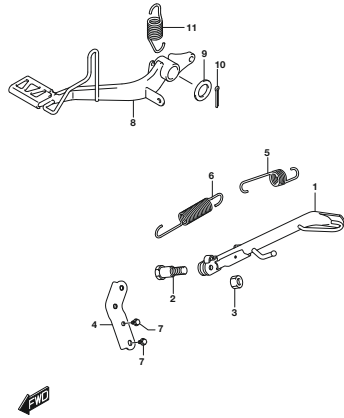
DS250RLM4_P24_401A
FRAME

FIG. 406A HOLDER (E-2)



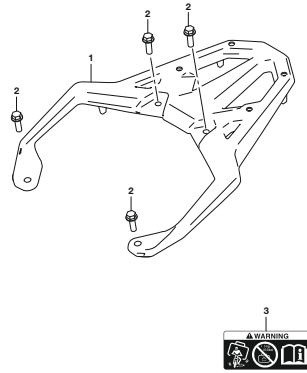
DS250RLM4_P24_406A
HOLDER

FIG. 407A STAND (E-3)



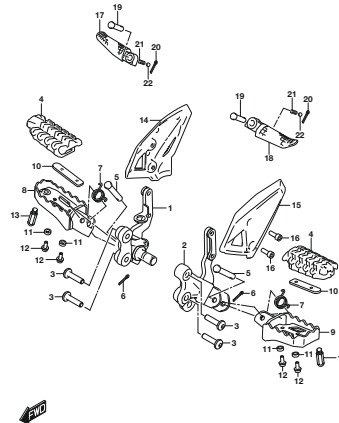
DS250RLM4_P24_407A
STAND

FIG. 412A CARRIER (E-4)



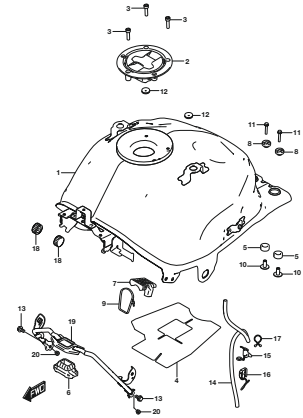
DS250RLM4_P24_412A
CARRIER

FIG. 415A FOOTREST (E-5)



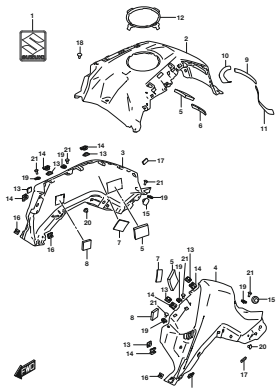
DS250RLM4_P24_415A
FOOTREST

FIG. 420A FUEL TANK (E-6)



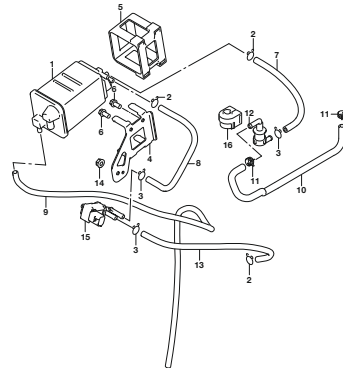
DS250RLM4_P24_420A
FUEL TANK

FIG. 423A FUEL TANK COVER (E-7)



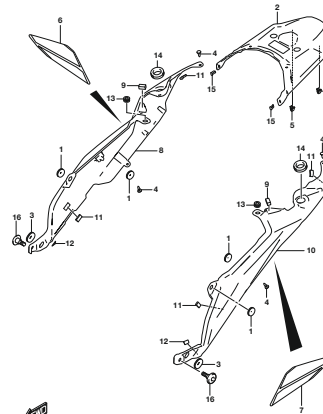
DS250RLM4_P24_423A
FUEL TANK COVER

FIG. 427A EVAP SYSTEM (E-8)



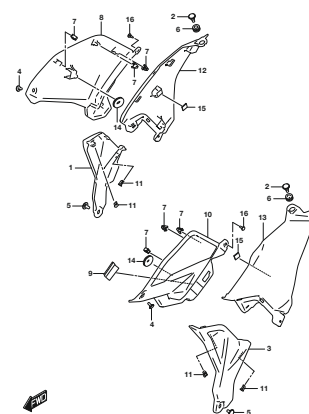
DS250RLM4_P24_427A
EVAP SYSTEM

FIG. 445A FRAME COVER (E-9)



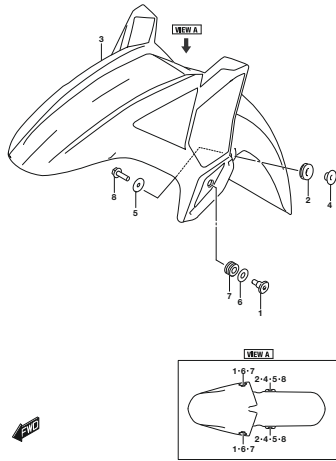
DS250RLM4_P24_445A
FRAME COVER

FIG. 446A FRAME LOWER COVER (E-10)



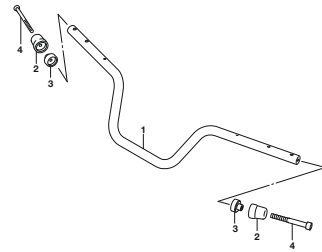
DS250RLM4_P24_446A
FRAME LOWER COVER

FIG. 460A FRONT FENDER (E-11)



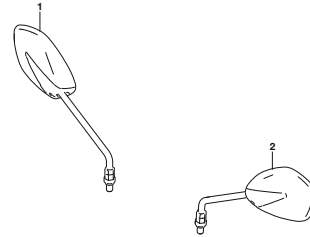
DS250RLM4_P24_460A
FRONT FENDER

FIG. 462A HANDLEBAR (E-12)



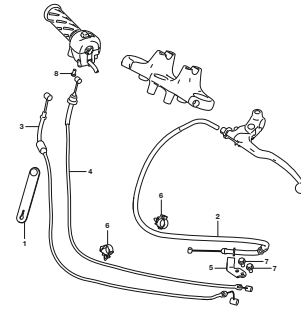
DS250RLM4_P24_462A
HANDLEBAR

FIG. 464A REAR VIEW MIRROR (E-13)



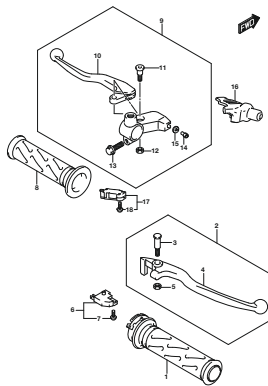
DS250RLM4_P24_464A
REAR VIEW MIRROR

FIG. 466A CONTROL CABLE (E-14)



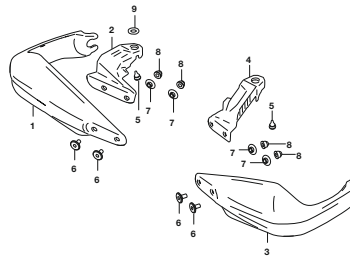
DS250RLM4_P24_466A
CONTROL CABLE

FIG. 467A HANDLE LEVER (F-2)



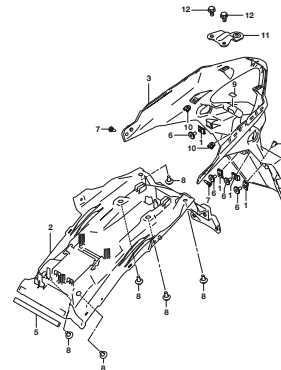
DS250RLM4_P24_467A
HANDLE LEVER

FIG. 472A KNUCKLE COVER (F-3)



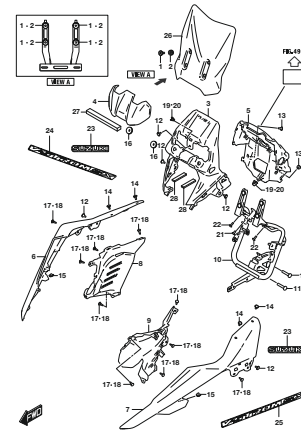
DS250RLM4_P24_472A
KNUCKLE COVER

FIG. 474A REAR FENDER (F-4)



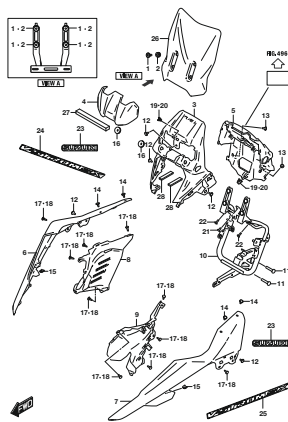
DS250RLM4_P24_474A
REAR FENDER

FIG. 481A COWLING BODY (F-5)



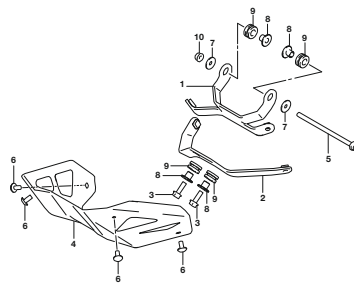
DS250RLM4_P24_481A
COWLING BODY

FIG. 481A COWLING BODY (F-6)



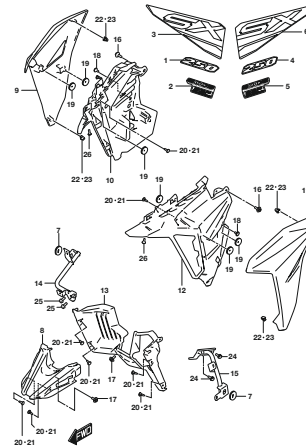
DS250RLM4_P24_481A
COWLING BODY

FIG. 483A UNDER COWLING (F-7)



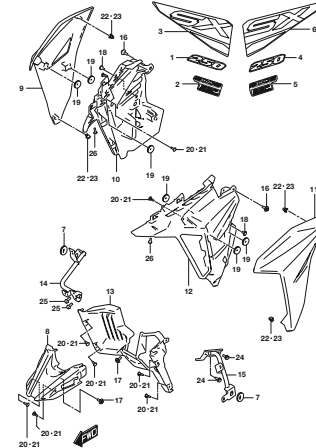
DS250RLM4_P24_483A
UNDER COWLING

FIG. 485A SIDE COWLING (F-8)



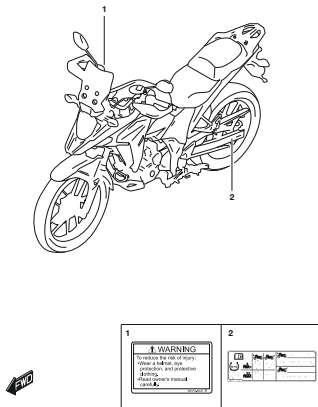
DS250RLM4_P24_485A
SIDE COWLING

FIG. 485A SIDE COWLING (F-9)



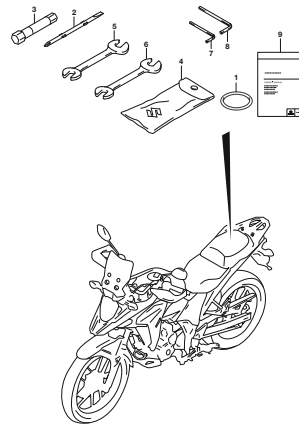
DS250RLM4_P24_485A
SIDE COWLING

FIG. 496A LABEL (F-10)



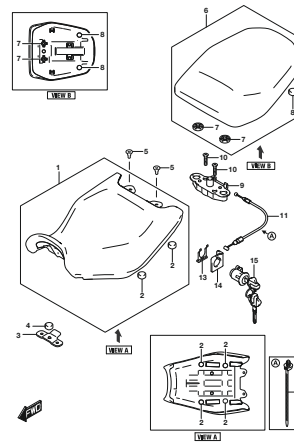
DS250RLM4_P24_496A
LABEL

FIG. 497A MANUAL/TOOLS (F-11)



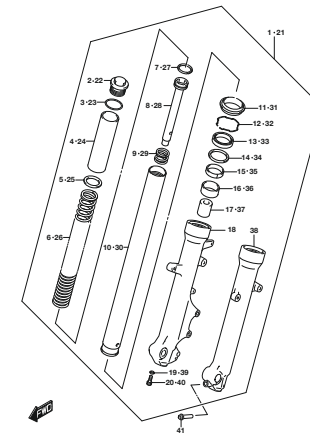
DS250RLM4_P24_497A
MANUAL/TOOLS

FIG. 505A SEAT (F-12)



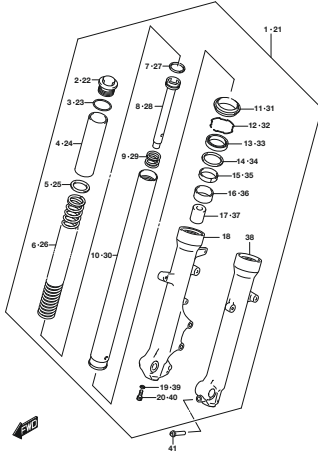
DS250RLM4_P24_505A
SEAT

FIG. 521A FRONT FORK DAMPER (F-13)



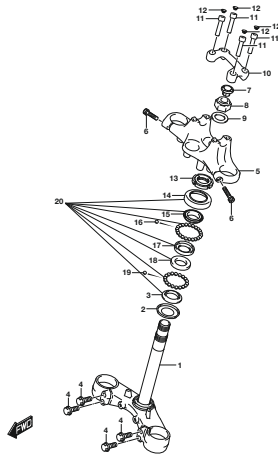
DS250RLM4_P24_521A
FRONT FORK DAMPER

FIG. 521A FRONT FORK DAMPER (F-14)



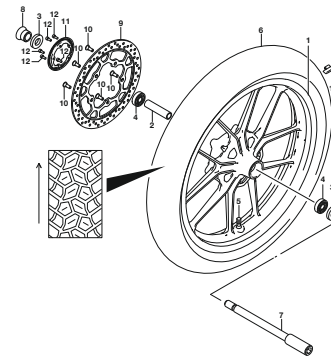
DS250RLM4_P24_521A
FRONT FORK DAMPER

FIG. 524A STEERING STEM (G-2)



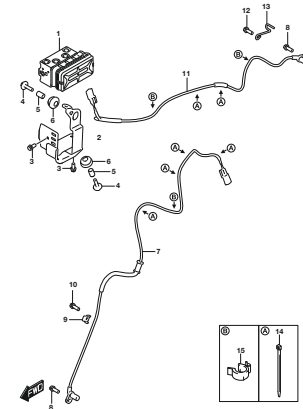
DS250RLM4_P24_524A
STEERING STEM

FIG. 530A FRONT WHEEL (G-3)



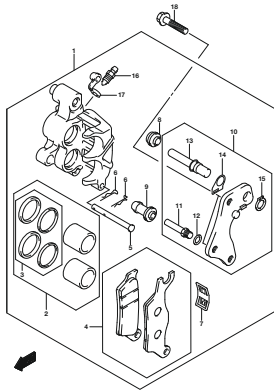
DS250RLM4_P24_530A
FRONT WHEEL

FIG. 533A HYDRAULIC UNIT (G-4)



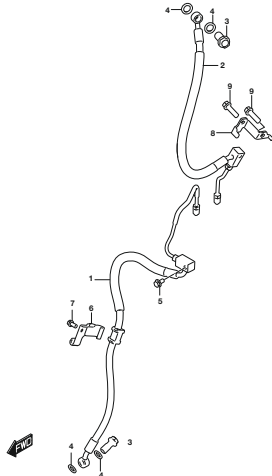
DS250RLM4_P24_533A
HYDRAULIC UNIT

FIG. 535A FRONT CALIPER (G-5)



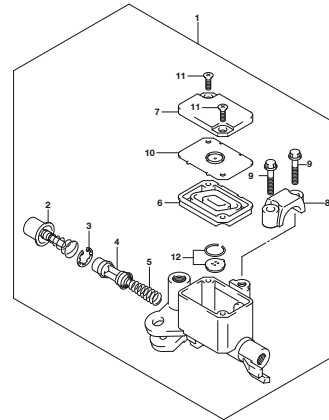
DS250RLM4_P24_535A
FRONT CALIPER

FIG. 536A FRONT BRAKE HOSE (G-6)



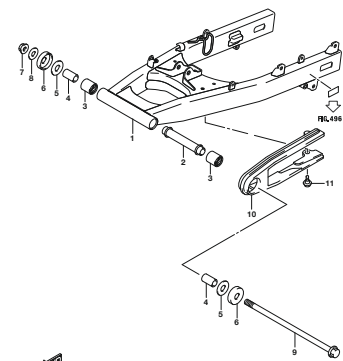
DS250RLM4_P24_536A
FRONT BRAKE HOSE

FIG. 537A FRONT MASTER CYLINDER (G-7)



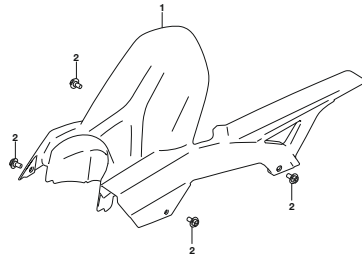
DS250RLM4_P24_537A
FRONT MASTER CYLINDER

FIG. 541A REAR SWINGARM (G-8)



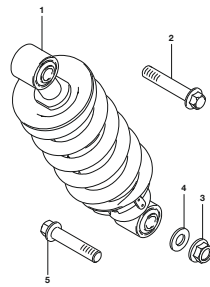
DS250RLM4_P24_541A
REAR SWINGARM

FIG. 542A CHAIN CASE (G-9)



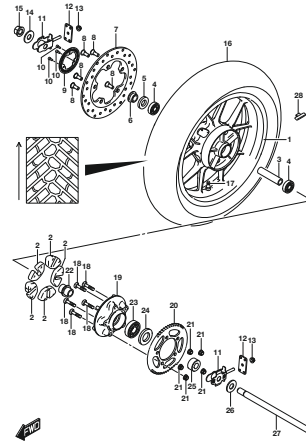
DS250RLM4_P24_542A
CHAIN CASE

FIG. 545A REAR SHOCK ABSORBER (G-10)



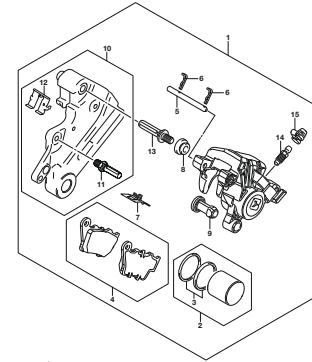
DS250RLM4_P24_545A
REAR SHOCK ABSORBER

FIG. 550A REAR WHEEL (G-11)



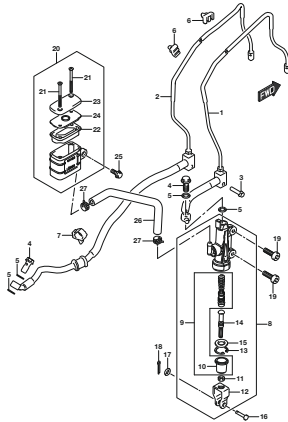
DS250RLM4_P24_550A
REAR WHEEL

FIG. 555A REAR CALIPER (G-12)



DS250RLM4_P24_555A
REAR CALIPER

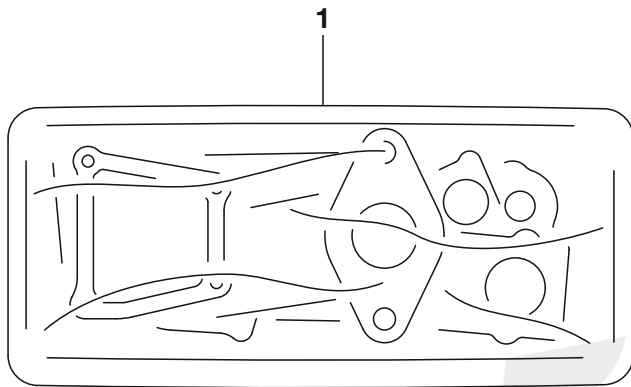
FIG. 558A REAR MASTER CYLINDER (G-13)



DS250RLM4_P24_558A
REAR MASTER CYLINDER

101A

FIG. 101A (B-2) GASKET SET

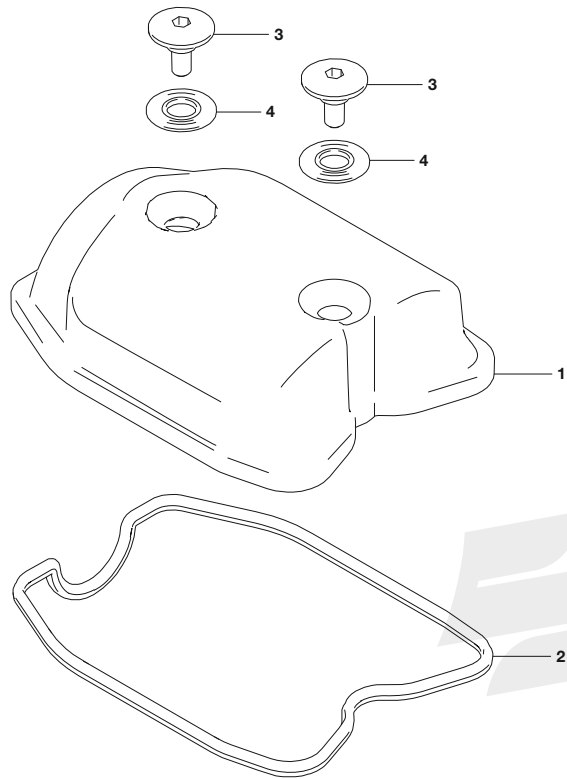


REF NO.	PART NO.	DESCRIPTION	QTY	REMARKS
1	11402-41840-000	GASKET SET	1	OPT
2	11141-41K00-000	.GASKET, CYLINDER HEAD	1	OPT,NOT ILLUSTRATED
3	11173-41K00-000	.GASKET, CYL HEAD COVER	1	OPT,NOT ILLUSTRATED
4	11241-41K00-000	.GASKET, CYLINDER	1	OPT,NOT ILLUSTRATED
5	11353-41K00-000	.O RING, STARTER GEAR COVER	1	OPT,NOT ILLUSTRATED
6	11482-41K00-000	.GASKET, CLUTCH COVER	1	OPT,NOT ILLUSTRATED
7	11483-41K00-000	.GASKET, MAGNETO COVER	1	OPT,NOT ILLUSTRATED
8	12837-24A30-000	.GASKET, TENSIONER ADJUSTER	1	OPT,NOT ILLUSTRATED
9	14181-14D10-000	.GASKET, EXHAUST PIPE (NA)	1	OPT,NOT ILLUSTRATED
10	09280-26005-000	.O RING (D:2.4,ID:26.2)	1	OPT,NOT ILLUSTRATED
11	09280-54001-000	.O RING (D:2.4,ID:52.6)	1	OPT,NOT ILLUSTRATED

102A

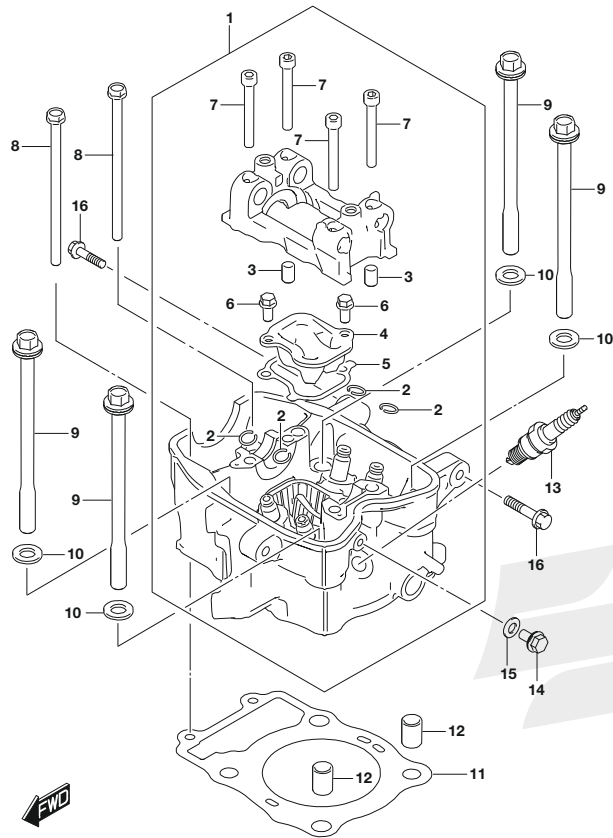
FIG. 102A (B-3) CYLINDER HEAD COVER

REF NO.	PART NO.	DESCRIPTION	QTY	REMARKS
1	11171-41K00-000	COVER, CYLINDER HEAD	1	
2	11173-41K00-000	GASKET, CYL HEAD COVER	1	
3	09106-07027-000	BOLT (L6.5)	2	
4	11191-27E70-000	WASHER, CYL HEAD COVER (10.6X25.5X1.6)	2	



103A

FIG. 103A (B-4) CYLINDER HEAD

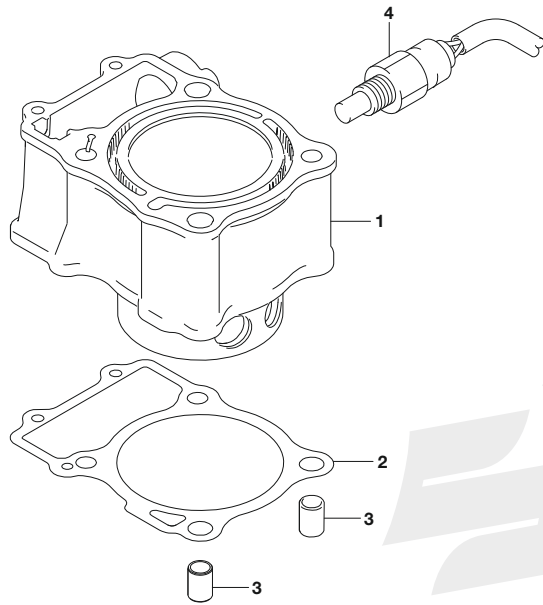


REF NO.	PART NO.	DESCRIPTION	QTY	REMARKS
1	11100-41K00-000	HEAD ASSY, CYLINDER	1	
2	09381-10004-000	.RING (10X85)	4	
3	09206-08008-000	.PIN (6.3X8X12)	2	
4	11181-41K00-000	.LID, OIL JACKET	1	
5	11182-41K00-000	.GASKET, OIL JACKET LID	1	
6	01547-0612A-000	.BOLT	2	
7	07130-0650A-000	.BOLT	4	
8	09103-06545-000	BOLT (6X115)	2	
9	09103-10470-000	BOLT (10X145)	4	
10	09160-10164-000	WASHER (10.5X19X2)	4	
11	11141-41K00-000	GASKET, CYLINDER HEAD	1	
12	04211-13189-000	PIN	2	
13	09482-00646-000	SPARK PLUG (MR8E-9)	1	
14	01550-0612A-000	BOLT	1	
15	09168-06018-000	GASKET (6.2X13X1.2)	1	
16	01550-0820B-000	BOLT	2	

107A

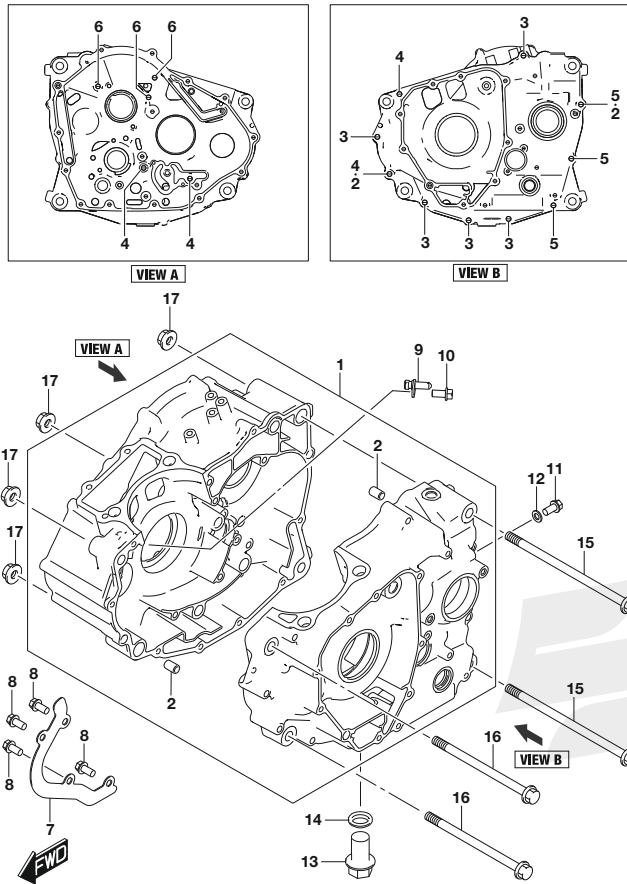
FIG. 107A (B-5) CYLINDER

REF NO.	PART NO.	DESCRIPTION	QTY	REMARKS
1-1	11210-41K00-0E0	CYLINDER	1	RED
1-2	11210-41K00-0F0	CYLINDER	1	YELLOW
1-3	11210-41K00-0G0	CYLINDER	1	BLUE
2	11241-41K00-000	GASKET, CYLINDER	1	
3	04211-13189-000	PIN	2	
4	13640-41K00-000	SENSOR, ENGINE TEMP	1	



108A

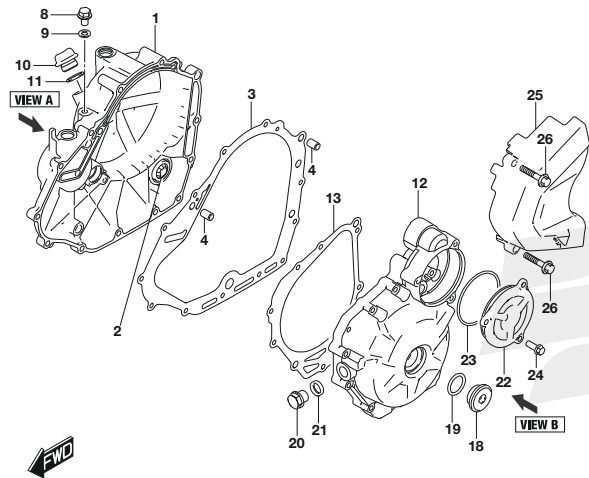
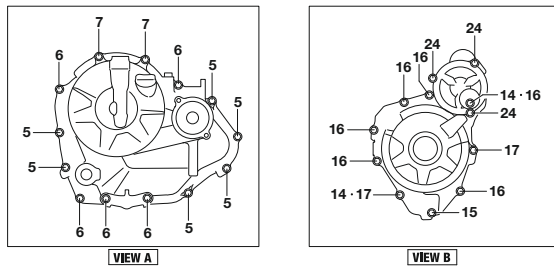
FIG. 108A (B-6) CRANKCASE



REF NO.	PART NO.	DESCRIPTION	QTY	REMARKS
1	11300-41881-000	CRANKCASE SET	1	
2	04211-09149-000	.PIN	2	
3	01547-0645A-000	.BOLT	5	
4	01547-0655A-000	.BOLT	4	
5	01547-0665A-000	.BOLT	3	
6	01547-0680A-000	.BOLT	3	
7	11323-41K00-000	SEPARATOR, CRANKCASE OIL	1	
8	01547-0612A-000	BOLT	4	
9	11390-41K00-000	JET, PISTON COOLING	1	
10	01547-0612A-000	BOLT	1	
11	01547-0612A-000	BOLT	1	
12	09168-06004-000	GASKET (6.2X11X1.2)	1	
13	09247-12106-000	PLUG (12X20)	1	OIL DRAIN
14	09168-12L02-000	GASKET (12.27X16.97X3.56)	1	
15	09103-10077-000	BOLT (10X140)	2	
16	09103-10709-000	BOLT (10X85)	2	
17	08319-3110B-000	NUT	4	

112A

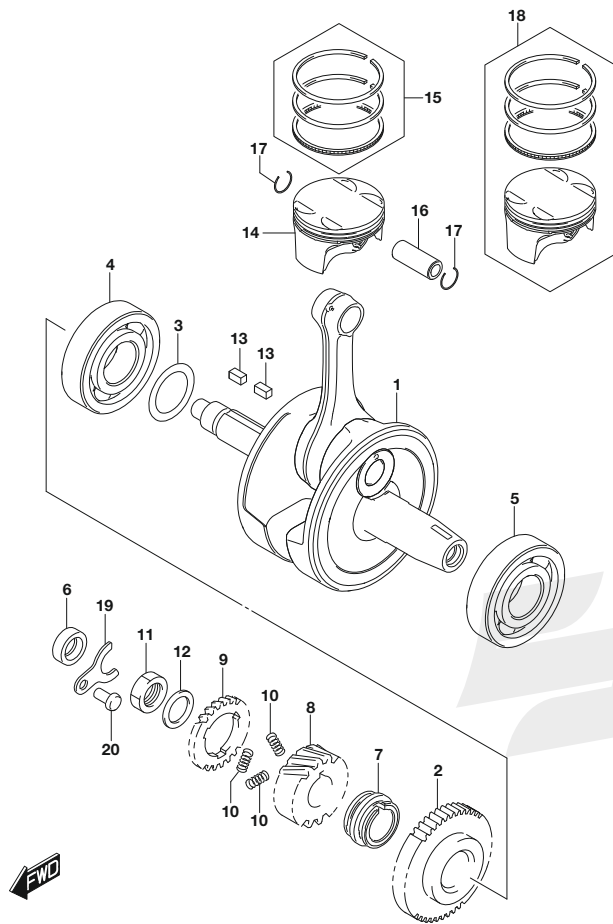
FIG. 112A (B-7) CRANKCASE COVER



REF NO.	PART NO.	DESCRIPTION	QTY	REMARKS
1	11340-41K00-000	COVER, CLUTCH	1	
2	11971-45010-000	.LENS, OIL LEVEL CHECK	1	
3	11482-41K00-000	GASKET, CLUTCH COVER	1	
4	04211-09149-000	PIN	2	
5	01547-0625A-000	BOLT	6	
6	01547-0635A-000	BOLT	5	
7	01547-0645A-000	BOLT	2	
8	01550-0812B-000	BOLT	1	
9	09168-08015-000	GASKET (8.2X14X1.6)	1	
10	11971-30H00-000	PLUG, OIL FILLER	1	
11	09280-17003-000	O RING (D:3.1, ID:16.8)	1	
12	11351-41K00-000	COVER, MAGNETO	1	
13	11483-41K00-000	GASKET, MAGNETO COVER	1	
14	04211-09149-000	PIN	2	
15	01547-0625A-000	BOLT	1	
16	01547-0635A-000	BOLT	6	
17	01547-0645A-000	BOLT	2	
18	09259-26035-000	PLUG	1	
19	09280-22008-000	O RING (D:3.1, ID:22.7)	1	
20	09247-14054-000	PLUG (14X12)	1	
21	09168-14002-000	GASKET (13.8X18.8X4.8)	1	
22	11352-41K00-000	COVER, STARTER IDLE GEAR	1	
23	11353-41K00-000	O RING, STARTER GEAR COVER	1	
24	01547-0616A-000	BOLT	3	
25	11360-41K00-000	COVER, ENG SPROCKET	1	

120A

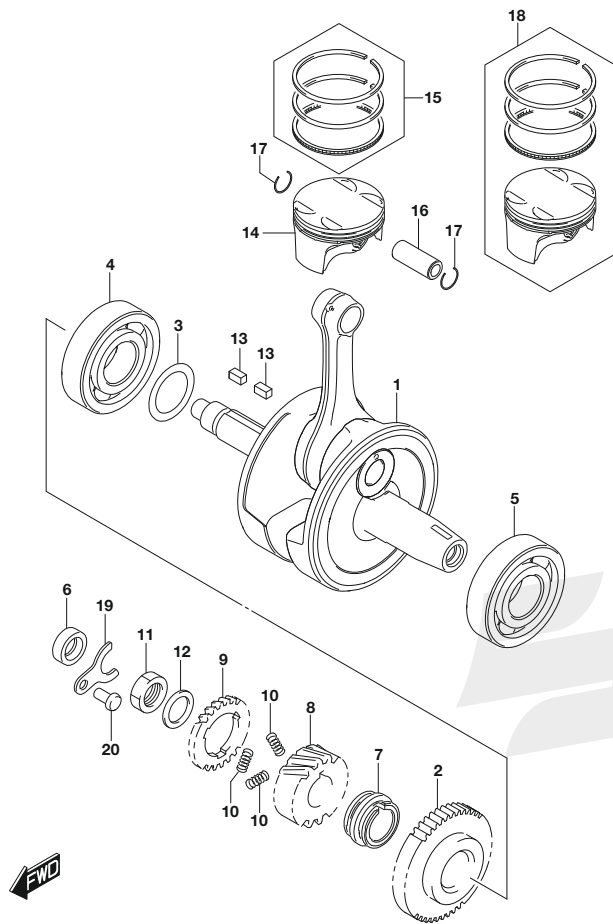
FIG. 120A (B-8) CRANKSHAFT



REF NO.	PART NO.	DESCRIPTION	QTY	REMARKS
1	12200-41K00-000	CRANKSHAFT ASSY	1	
2	12661-41K00-000	GEAR, CRANK BALANCER DRIVE (NT:40)	1	
3-1	09181-28187-000	SHIM (T:0.6)	1	
3-2	09181-28021-000	SHIM (T:0.65)	1	
3-3	09181-28188-000	SHIM (T:0.7)	1	
3-4	09181-28189-000	SHIM (T:0.75)	1	
3-5	09181-28190-000	SHIM (T:0.8)	1	
3-6	09181-28191-000	SHIM (T:0.85)	1	
3-7	09181-28192-000	SHIM (T:0.90)	1	
3-8	09181-28193-000	SHIM (T:0.95)	1	
3-9	09181-28194-000	SHIM (T:1.00)	1	
3-10	09181-28197-000	SHIM (T:1.05)	1	
3-11	09181-28200-000	SHIM (T:1.10)	1	
3-12	09181-28202-000	SHIM (T:1.15)	1	
3-13	09181-28204-000	SHIM (T:1.20)	1	
3-14	09181-28207-000	SHIM (T:1.25)	1	
3-15	09181-28209-000	SHIM (T:1.30)	1	
4	09262-28060-000	BEARING (28X68X18)	1	
5	09262-28061-000	BEARING (28X68X18)	1	
6	09282-12013-000	OIL SEAL (12X21X7)	1	
7	12731-41K00-000	SPROCKET, CAM CHAIN DRIVE (NT:17)	1	
8	21111-41KA0-000	GEAR, PRIMARY DRIVE (NT:23)	1	
9	21112-41KA0-000	GEAR, PRIMARY DRIVE SCISSORS (NT:23)	1	
10	21114-41K00-000	SPRING, PRI DRIVE GEAR	3	
11	09140-18004-000	NUT (M18)	1	
12	09160-18044-000	WASHER (18X32X2)	1	
13	09421-05011-000	KEY	2	
14-1	12111-41K10-0E0	PISTON	1	RED
14-2	12111-41K10-0F0	PISTON	1	YELLOW
14-3	12111-41K10-0G0	PISTON	1	BLUE
15	12140-41K00-000	RING SET, PISTON	1	
16	12151-41K00-000	PIN, PISTON	1	
17	09381-17005-000	CIRCLIP (OD:19.8)	2	
18	12100-41K10-050	PISTON SET, OS 0.5 (OS:0.5)	1	OPT

120A

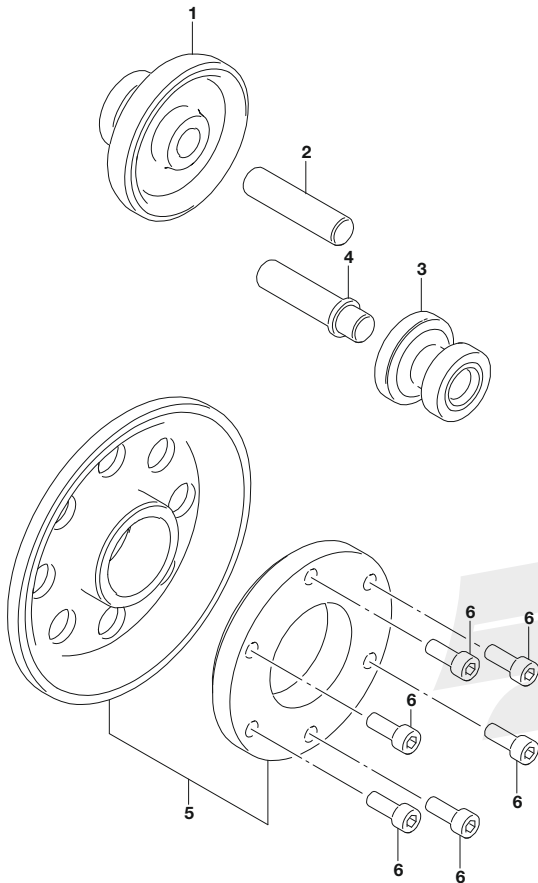
FIG. 120A (B-9) CRANKSHAFT



REF NO.	PART NO.	DESCRIPTION	QTY	REMARKS
19	12541-41K10-000	RETAINER, CRANKSHAFT OIL SEAL RH	1	
20	01547-0612A-000	BOLT	1	

122A

FIG. 122A (B-10) STARTER CLUTCH

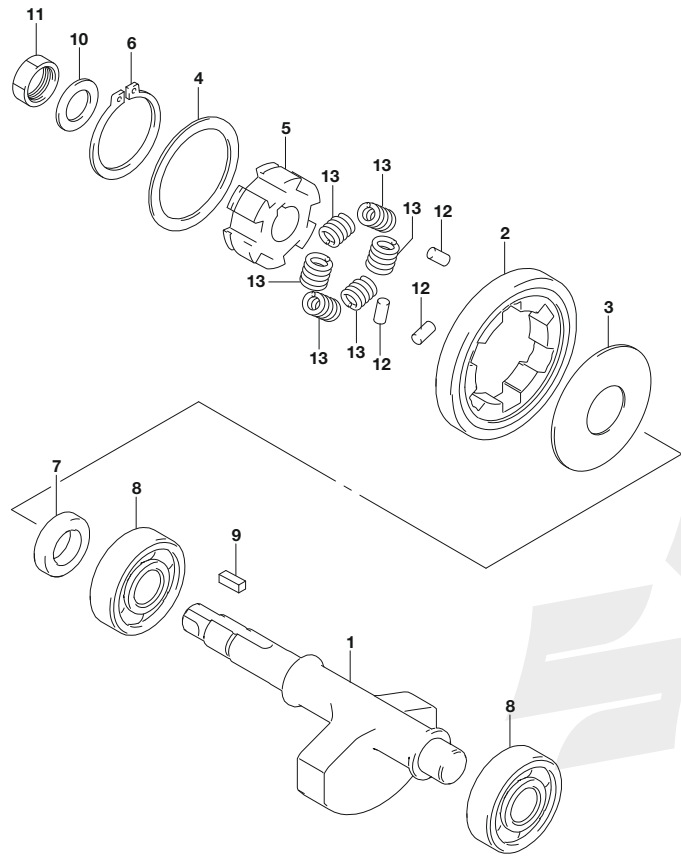


REF NO.	PART NO.	DESCRIPTION	QTY	REMARKS
1	12611-41K00-000	GEAR, STARTER IDLE NO.1 (NT:13/65)	1	
2	09202-12003-000	PIN (12X50.5)	1	
3	12612-41K00-000	GEAR, STARTER IDLE NO.2 (NT:12/16)	1	
4	12616-41K00-000	SHAFT, STARTER IDLE GEAR NO.2	1	
5	12600-41870-000	CLUTCH SET, STARTER (NT:61)	1	
6	07130-0616A-000	BOLT	6	



124A

FIG. 124A (B-11) CRANK BALANCER

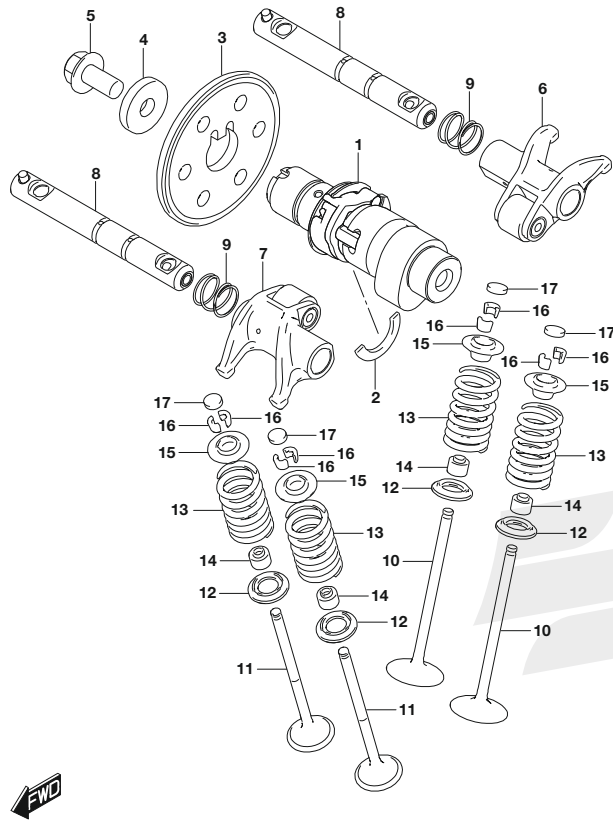


REF NO.	PART NO.	DESCRIPTION	QTY	REMARKS
1	12651-41K00-000	BALANCER, CRANK	1	
2	12666-41K00-000	GEAR, CRK BAL DRIVEN (NT:44)	1	
3	12662-41K00-000	WASHER, CRK BAL DRIVEN GR NO.1	1	
4	12662-41K10-000	WASHER, CRK BAL DRIVEN GR NO.2	1	
5	12669-41K00-000	RACE, CRK BAL DRIVEN GEAR INNER	1	
6	08331-31409-000	CIRCLIP	1	
7	12668-34J00-000	SPACER, CRANK BAL DRN GEAR (NT:19)	1	
8	09262-15060-000	BEARING (15X42X13)	2	
9	09421-05011-000	KEY	1	
10	08211-14242-000	WASHER	1	
11	09140-14022-000	NUT (NT:24)	1	
12	09202-04017-000	PIN (4.5X9.5)	3	
13	12663-41K00-000	SPRING, CRANK BAL DRIVEN GEAR	6	



126A

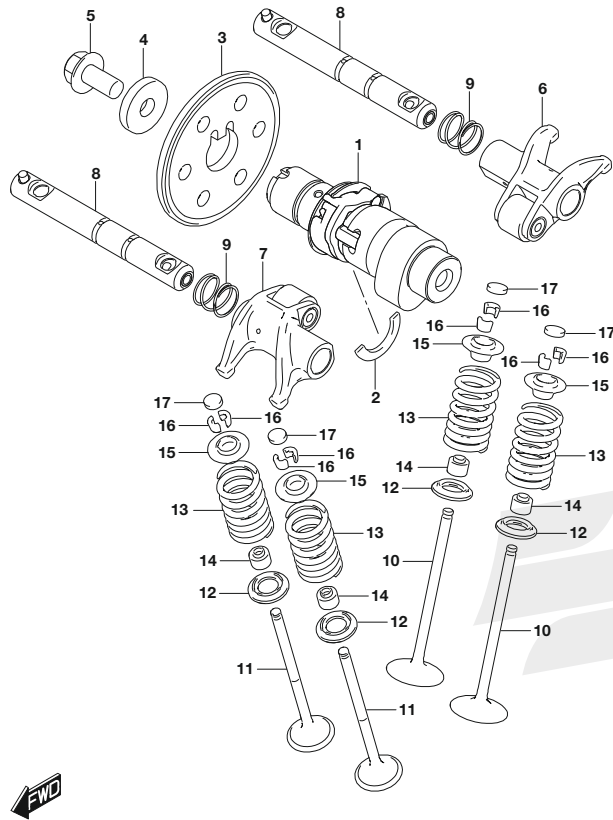
FIG. 126A (B-12) CAMSHAFT/VALVE



REF NO.	PART NO.	DESCRIPTION	QTY	REMARKS
1	12710-41K00-000	CAMSHAFT ASSY	1	
2	09390-22002-000	O RING	1	
3	12741-41K00-000	SPROCKET, CAMSHAFT (NT:34)	1	
4	09160-08176-000	WASHER (8X23X4)	1	
5	12742-41K00-000	BOLT, SPROCKET	1	
6	12841-41K00-000	ARM, VALVE ROCKER INTAKE	1	
7	12851-41K00-000	ARM, VALVE ROCKER EXHAUST	1	
8	12860-41K00-000	SHAFT, VALVE ROCKER ARM	2	
9	12867-41K00-000	SPRING, VALVE ROCKER ARM	2	
10	12911-41K00-000	VALVE, INTAKE	2	
11	12912-41K00-000	VALVE, EXHAUST	2	
12	12933-09G00-000	SEAT, VALVE SPRING	4	
13	12921-41K00-000	SPRING, VALVE	4	
14	09289-05019-000	OIL SEAL (4X10X8)	4	
15	12931-41K00-000	RETAINER, VALVE SPRING	4	
16	12932-09G10-000	COTTER VALVE (NT:23)	8	
17-1	12892-35G00-150	SHIM, TAPPET (T:1.50)	4	
17-2	12892-35G00-152	SHIM, TAPPET (T:1.52)	4	
17-3	12892-35G00-155	SHIM, TAPPET (T:1.55)	4	
17-4	12892-35G00-158	SHIM, TAPPET (T:1.58)	4	
17-5	12892-35G00-160	SHIM, TAPPET (T:1.60)	4	
17-6	12892-35G00-162	SHIM, TAPPET (T:1.62)	4	
17-7	12892-35G00-165	SHIM, TAPPET (T:1.65)	4	
17-8	12892-35G00-168	SHIM, TAPPET (T:1.68)	4	
17-9	12892-35G00-170	SHIM, TAPPET (T:1.70)	4	
17-10	12892-35G00-172	SHIM, TAPPET (T:1.72)	4	
17-11	12892-35G00-175	SHIM, TAPPET (T:1.75)	4	
17-12	12892-35G00-178	SHIM, TAPPET (T:1.78)	4	
17-13	12892-35G00-180	SHIM, TAPPET (T:1.80)	4	
17-14	12892-35G00-182	SHIM, TAPPET (T:1.82)	4	
17-15	12892-35G00-185	SHIM, TAPPET (T:1.85)	4	
17-16	12892-35G00-188	SHIM, TAPPET (T:1.88)	4	
17-17	12892-35G00-190	SHIM, TAPPET (T:1.90)	4	
17-18	12892-35G00-192	SHIM, TAPPET (T:1.92)	4	
17-19	12892-35G00-195	SHIM, TAPPET (T:1.95)	4	
17-20	12892-35G00-198	SHIM, TAPPET (T:1.98)	4	

126A

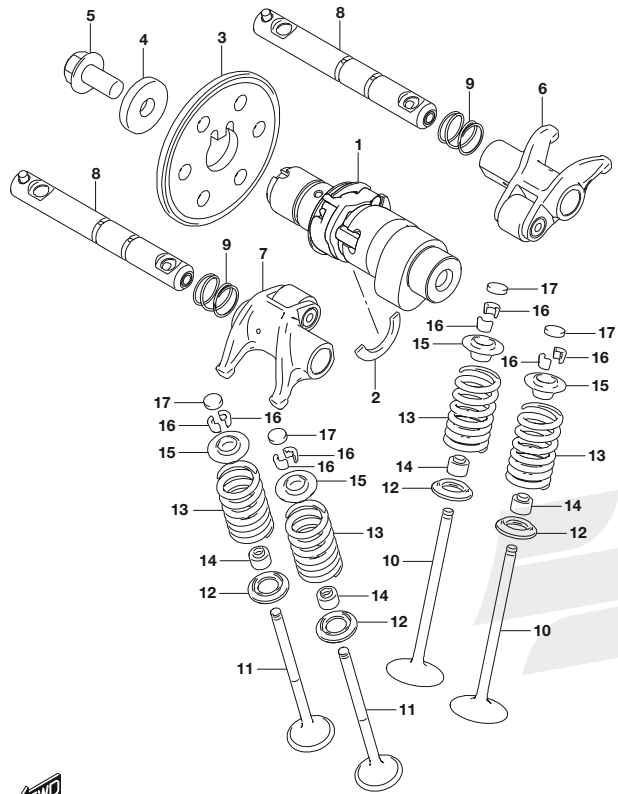
FIG. 126A (B-13) CAMSHAFT/VALVE



REF NO.	PART NO.	DESCRIPTION	QTY	REMARKS
17-21	12892-35G00-200	SHIM, TAPPET (T:2.00)	4	
17-22	12892-35G00-202	SHIM, TAPPET (T:2.02)	4	
17-23	12892-35G00-205	SHIM, TAPPET (T:2.05)	4	
17-24	12892-35G00-208	SHIM, TAPPET (T:2.08)	4	
17-25	12892-35G00-210	SHIM, TAPPET (T:2.10)	4	
17-26	12892-35G00-212	SHIM, TAPPET (T:2.12)	4	
17-27	12892-35G00-215	SHIM, TAPPET (T:2.15)	4	
17-28	12892-35G00-218	SHIM, TAPPET (T:2.18)	4	
17-29	12892-35G00-220	SHIM, TAPPET (T:2.20)	4	
17-30	12892-35G00-222	SHIM, TAPPET (T:2.22)	4	
17-31	12892-35G00-225	SHIM, TAPPET (T:2.25)	4	
17-32	12892-35G00-228	SHIM, TAPPET (T:2.28)	4	
17-33	12892-41C00-230	SHIM, TAPPET (T:2.30)	4	
17-34	12892-41C00-232	SHIM, TAPPET (T:2.32)	4	
17-35	12892-41C00-235	SHIM, TAPPET (T:2.35)	4	
17-36	12892-41C00-238	SHIM, TAPPET (T:2.38)	4	
17-37	12892-41C00-240	SHIM, TAPPET (T:2.40)	4	
17-38	12892-41C00-242	SHIM, TAPPET (T:2.42)	4	
17-39	12892-41C00-245	SHIM, TAPPET (T:2.45)	4	
17-40	12892-41C00-248	SHIM, TAPPET (T:2.48)	4	
17-41	12892-41C00-250	SHIM, TAPPET (T:2.50)	4	
17-42	12892-41C00-252	SHIM, TAPPET (T:2.52)	4	
17-43	12892-41C00-255	SHIM, TAPPET (T:2.55)	4	
17-44	12892-41C00-258	SHIM, TAPPET (T:2.58)	4	
17-45	12892-41C00-260	SHIM, TAPPET (T:2.60)	4	
17-46	12892-41C00-262	SHIM, TAPPET (T:2.62)	4	
17-47	12892-41C00-265	SHIM, TAPPET (T:2.65)	4	
17-48	12892-41C00-268	SHIM, TAPPET (T:2.68)	4	
17-49	12892-41C00-270	SHIM, TAPPET (T:2.70)	4	
17-50	12892-41C00-272	SHIM, TAPPET (T:2.72)	4	
17-51	12892-41C00-275	SHIM, TAPPET (T:2.75)	4	
17-52	12892-41C00-278	SHIM, TAPPET (T:2.78)	4	
17-53	12892-41C00-280	SHIM, TAPPET (T:2.80)	4	
17-54	12892-41C00-282	SHIM, TAPPET (T:2.82)	4	
17-55	12892-41C00-285	SHIM, TAPPET (T:2.85)	4	
17-56	12892-41C00-288	SHIM, TAPPET (T:2.88)	4	

126A

FIG. 126A (B-14) CAMSHAFT/VALVE

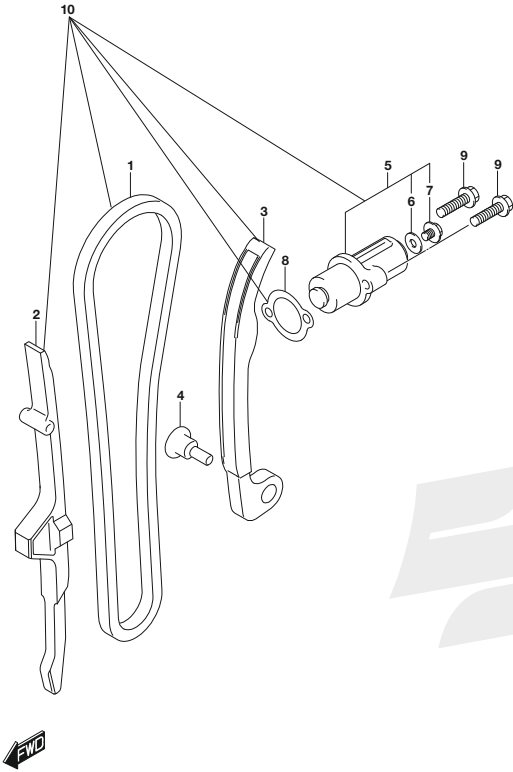


REF NO.	PART NO.	DESCRIPTION	QTY	REMARKS
17-57	12892-41C00-290	SHIM, TAPPET (T:2.90)	4	
17-58	12892-41C00-292	SHIM, TAPPET (T:2.92)	4	
17-59	12892-41C00-295	SHIM, TAPPET (T:2.95)	4	
17-60	12892-41C00-298	SHIM, TAPPET (T:2.98)	4	
17-61	12892-41C00-300	SHIM, TAPPET (T:3.00)	4	
18	12800-35820-000	SHIM SET, TAPPET (5PCS. EACH)	1	OPT,NOT ILLUSTRATED
19	99000-69471-000	.CASE, TAPPET SHIM	2	OPT,NOT ILLUSTRATED



127A

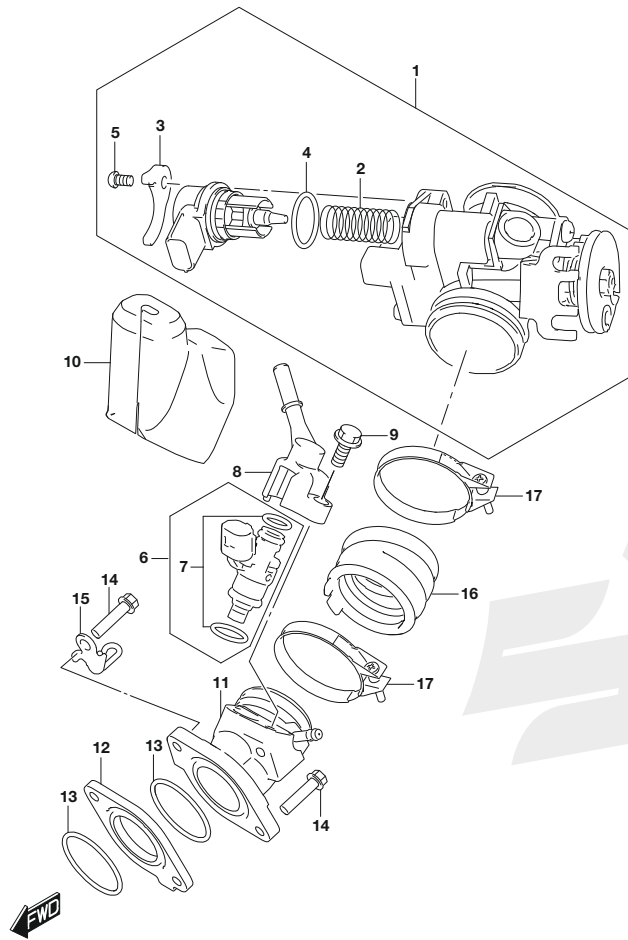
FIG. 127A (C-2) CAM CHAIN



REF NO.	PART NO.	DESCRIPTION	QTY	REMARKS
1	12760-41K00-000	CHAIN, CAMSHAFT DRIVE	1	
2	12771-41K00-000	GUIDE, CAM CHAIN	1	
3	12811-41K00-000	TENSIONER, CAM CHAIN	1	
4	12812-41K00-000	BOLT, CAM CHAIN TENSIONER	1	
5	12830-41K00-000	ADJUSTER ASSY, TENSIONER	1	
6	12835-41K00-000	.WASHER, ADJUSTER END	1	
7	12836-41K00-000	.BOLT, ADJUSTER END	1	
8	12837-24A30-000	GASKET, TENSIONER ADJUSTER	1	
9	01547-0625B-000	BOLT	2	
10	12700-41810-000	ENGINE TIMING KIT	1	

140A

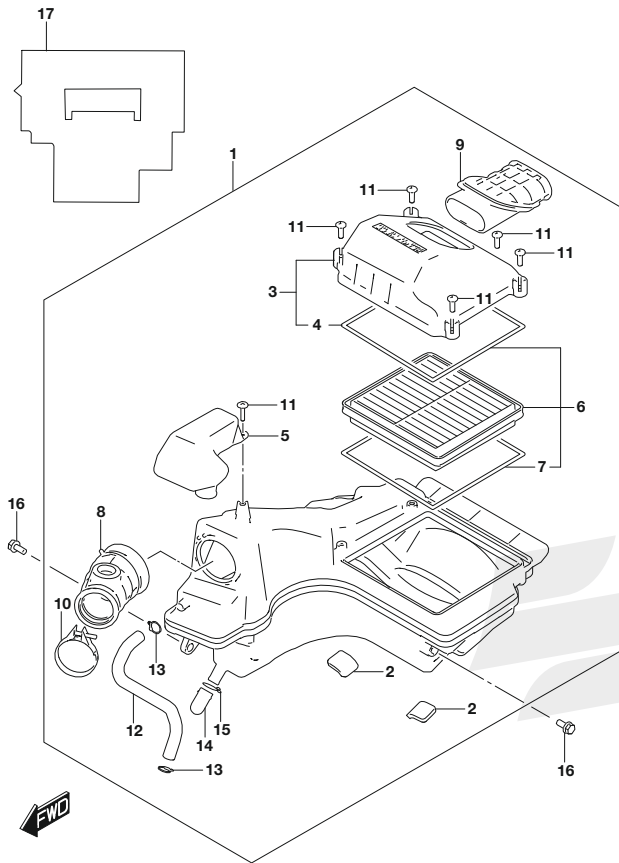
FIG. 140A (C-3) THROTTLE BODY



REF NO.	PART NO.	DESCRIPTION	QTY	REMARKS
1	13400-41K00-000	BODY ASSY, THROTTLE	1	
2	13417-09JA0-000	.SPRING	1	
3	13421-42J00-000	.PLATE	1	
4	13438-09JA0-000	.O RING	1	
5	13602-06128-000	.SCREW	1	
6	15710-41K00-000	INJECTOR, ASSY FUEL	1	
7	15720-41810-000	.O RING & GROMMET SET	1	
8	15830-41K00-000	JOINT, FUEL HOSE	1	
9	01547-0620A-000	BOLT	1	
10	15719-41K00-000	COVER, FUEL INJECTOR	1	
11	13110-41K00-000	PIPE, INTAKE NO.1	1	
12	13128-41K00-000	INSULATOR, INTAKE PIPE	1	
13	09280-40021-000	O RING (D:2.4, ID:39.7)	2	
14	01547-0625A-000	BOLT	2	
15	18570-41K00-000	GUIDE, LEAD WIRE	1	
16	13121-41K00-000	PIPE, INTAKE NO.2	1	
17	13170-41K00-000	CLAMP, INTAKE PIPE	2	

155A

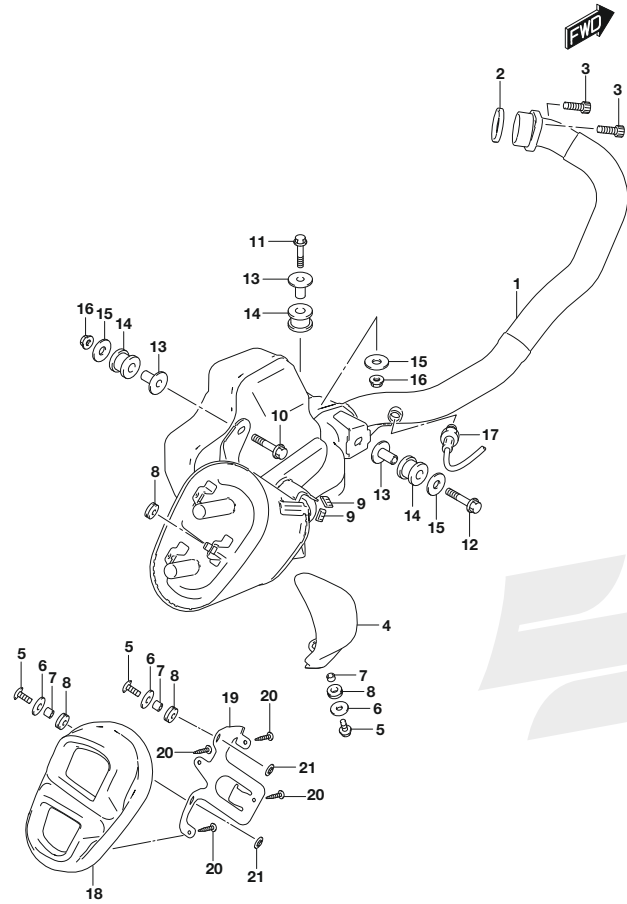
FIG. 155A (C-4) AIR CLEANER



REF NO.	PART NO.	DESCRIPTION	QTY	REMARKS
1	13700-41K00-000	CLEANER ASSY, AIR	1	
2	13725-41K00-000	.CUSHION, CASE	2	
3	13740-41K00-000	.CAP, AIR CLEANER	1	
4	13746-41K00-000	..GASKET	1	
5	13761-41K00-000	..RESONATOR	1	
6	13700-41810-000	.AIR FILTER KIT	1	
7	13746-41K00-000	.GASKET	1	
8	13881-41K00-000	.TUBE, OUTLET	1	
9	13891-41K00-000	.TUBE, INLET	1	
10	13826-41K00-000	.CLAMP	1	
11	03541-0520A-000	.SCREW	6	
12	13853-41K00-000	.TUBE, BREATHER	1	
13	09401-12418-000	.CLIP	2	
14	13859-41B10-000	.PLUG	1	
15	09401-14101-000	.CLIP (ID:14.5)	1	
16	01580-0616A-000	BOLT	2	
17	13841-20L00-000	SHEET, AIR CLEANER INLET	1	

163A

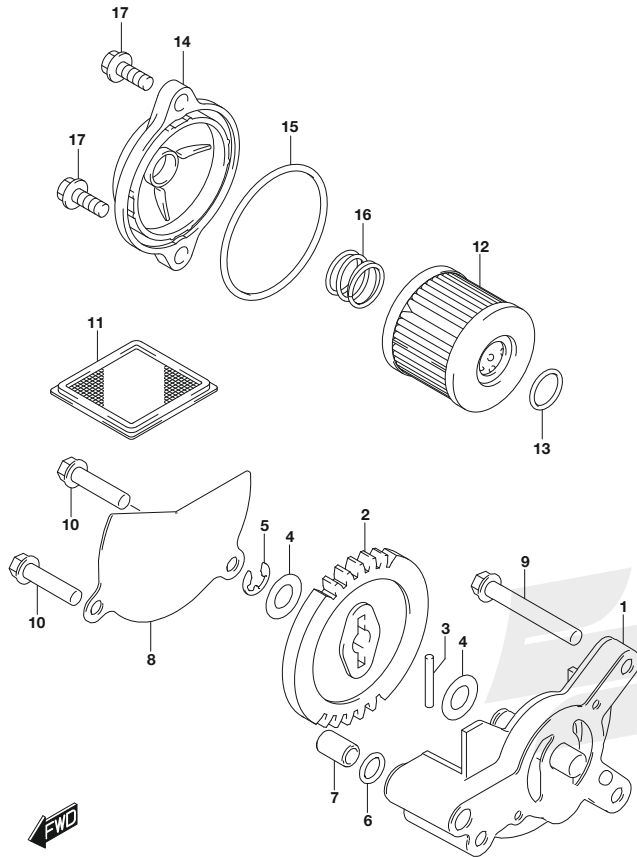
FIG. 163A (C-5) MUFFLER



REF NO.	PART NO.	DESCRIPTION	QTY	REMARKS
1	14310-41K40-000	BODY, MUFFLER	1	
2	14181-14D10-000	GASKET, EXHAUST PIPE (NA)	1	
3	07130-0825A-000	BOLT	2	
4	14780-20L00-000	COVER, MUFFLER	1	
5	09139-06194-000	SCREW (6X16)	3	
6	09160-06156-000	WASHER (6.5X18X1.6)	3	
7	09180-06256-000	SPACER (6.5X9X5.7)	3	
8	09320-08504-000	CUSHION (8.4X18X6)	4	
9	14795-10FA0-000	GROMMET	2	
10	01550-0845B-000	BOLT	1	
11	01550-0845B-000	BOLT	1	
12	09103-08558-000	BOLT (8X40)	1	
13	09180-10164-000	SPACER (10.5X30X25.3)	3	
14	09320-14027-000	CUSHION (14X30X24)	3	
15	09160-08174-000	WASHER (8.5X30X1.6)	3	
16	08319-3108A-000	NUT	2	
17	18213-41K01-000	SENSOR, OXYGEN	1	
18	14791-20L00-000	COVER, MUF RR	1	
19	14761-20L00-000	STAY, MUF RR COV	1	
20	03241-0412B-000	SCREW	4	
21	09148-05083-000	NUT	2	

170A

FIG. 170A (C-6) OIL PUMP

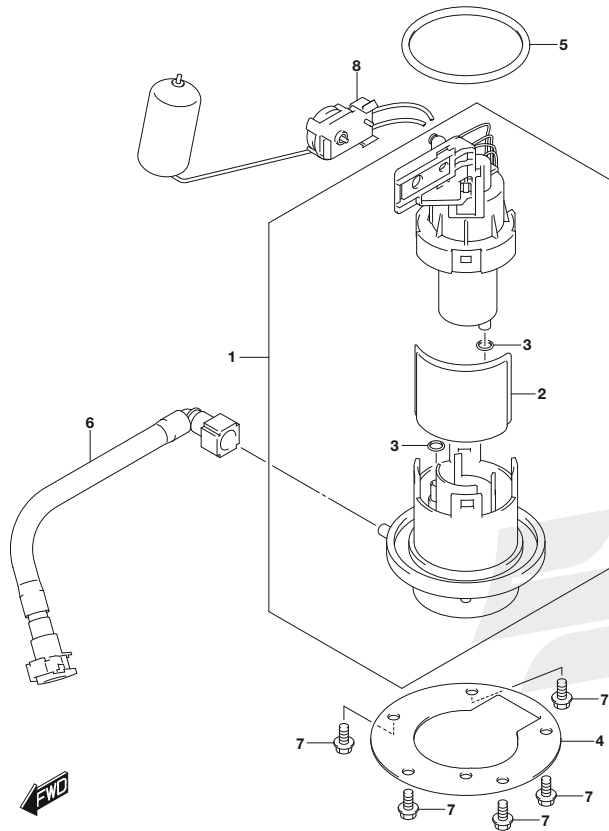


REF NO.	PART NO.	DESCRIPTION	QTY	REMARKS
1	16400-41K00-000	PUMP ASSY, ENGINE OIL	1	
2	16331-41K11-000	GEAR, OIL PUMP DRIVEN (NT:35)	1	
3	16421-41K00-000	PIN, OIL PUMP DRIVEN GEAR (4X29.8)	1	
4	09181-10158-000	SHIM (10X18X0.5)	2	
5	08331-31109-000	CIRCLIP	1	
6	09280-09013-000	O RING (D:1.9,ID:8.6)	1	
7	04211-09149-000	PIN	1	
8	16413-41K00-000	COVER, OIL PUMP	1	
9	01547-0625A-000	BOLT	1	
10	01547-0645A-000	BOLT	2	
11	16520-09440-000	STRAINER, ENGINE OIL	1	
12	16510-33G10-000	FILTER, ENGINE OIL	1	
13	09280-13010-000	O RING (D:1.9,ID:12.5)	1	
14	16512-23J20-000	CAP, OIL FILTER	1	
15	09280-54001-000	O RING (D:2.4,ID:52.6)	1	
16	16519-09J10-000	SPRING, OIL FILTER	1	
17	01547-0620A-000	BOLT	2	

172A

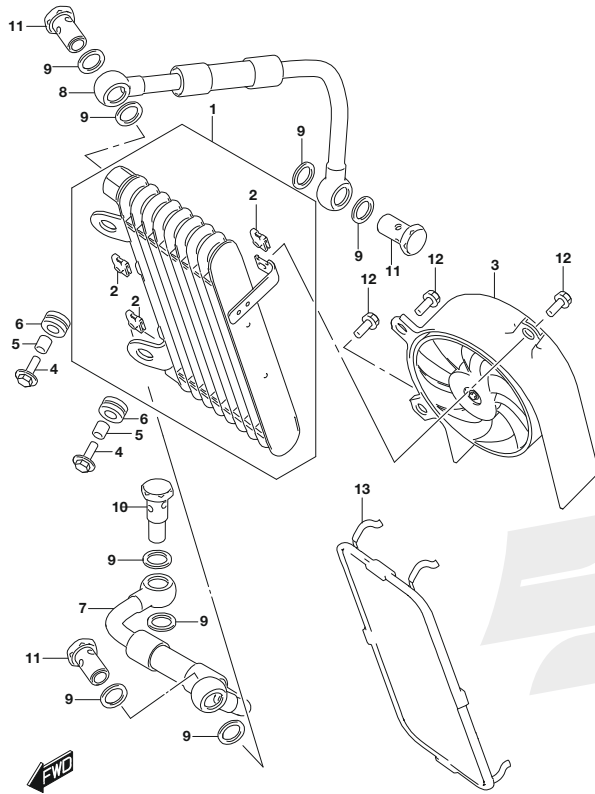
FIG. 172A (C-7) FUEL PUMP

REF NO.	PART NO.	DESCRIPTION	QTY	REMARKS
1	15100-41K00-000	PUMP ASSY, FUEL	1	
2	15420-34JB0-000	.FILTER	1	
3	.O RING	2		
4	15121-34JB1-000	PLATE, FUEL PUMP	1	
5	15201-34JB0-000	O RING, FUEL PUMP	1	
6	15810-41K00-000	HOSE, FUEL	1	
7	01547-0612A-000	BOLT	5	
8	34810-20L00-000	GAUGE ASSY, FUEL LEVEL SENDER	1	



178A

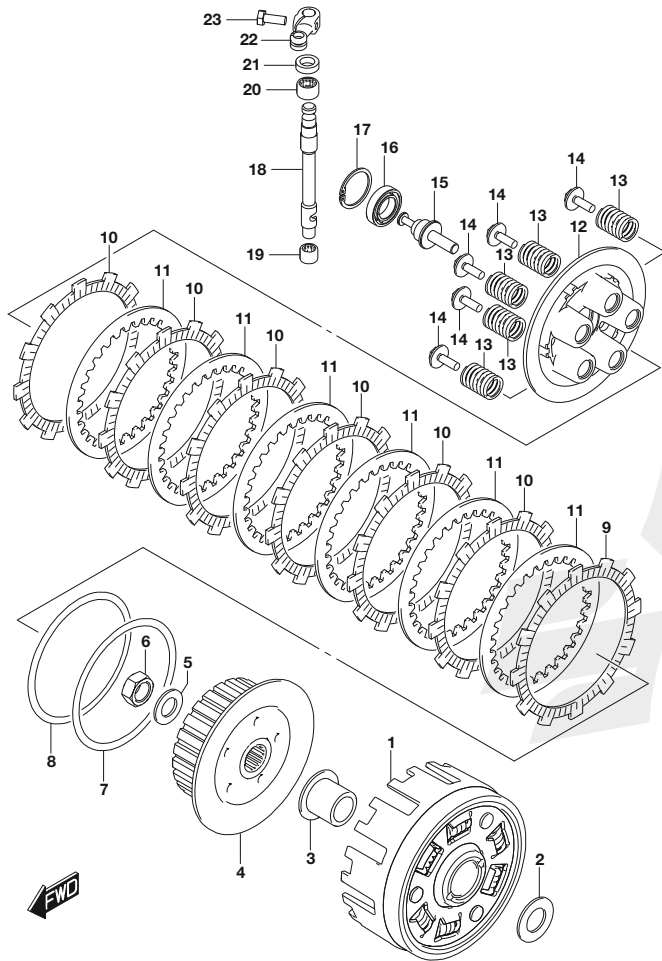
FIG. 178A (C-8) OIL COOLER



REF NO.	PART NO.	DESCRIPTION	QTY	REMARKS
1	16600-41K00-000	COOLER ASSY, OIL	1	
2	17802-41K00-000	.NUT	3	
3	16800-41K00-000	FAN ASSY, OIL COOLER	1	
4	09116-06111-000	BOLT (6X20)	2	
5	09180-06310-000	SPACER (6.5X10X10)	2	
6	09320-10015-000	CUSHION (10X20X10)	2	
7	16460-41K00-000	HOSE, OIL COOLER INLET	1	
8	16470-41K00-000	HOSE, OIL COOLER OUTLET	1	
9	09168-16002-000	GASKET (16X22X2)	8	
10	09360-14016-000	BOLT	1	
11	09360-16002-000	UNION (16X32)	3	
12	01550-0612A-000	BOLT	3	
13	16650-20L00-000	GUARD, OIL COOLER	1	

201A

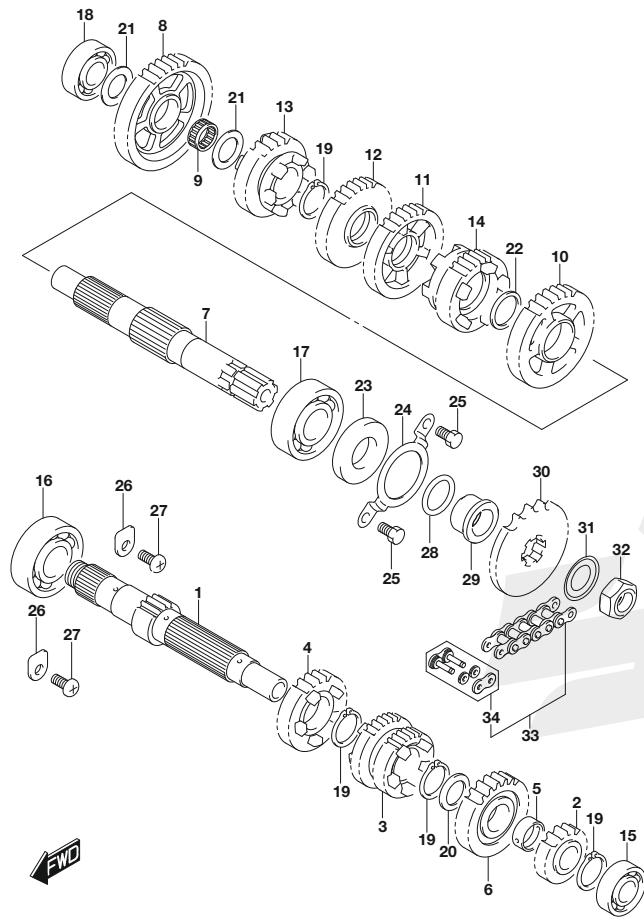
FIG. 201A (C-9) CLUTCH



REF NO.	PART NO.	DESCRIPTION	QTY	REMARKS
1	21200-41KA0-000	GEAR ASSY, PRIMARY DRIVEN (NT:71)	1	
2	08211-20363-000	WASHER	1	
3	21251-41K10-000	SPACER, PRIMARY DRIVEN GEAR	1	
4	21411-41K00-000	HUB, CLUTCH SLEEVE	1	
5	08211-16283-000	WASHER	1	
6	09140-16038-000	NUT	1	
7	21471-41K00-000	SEAT, WAVE WASHER	1	
8	21472-41K00-000	WASHER, CLUTCH PLATE WAVE	1	
9	21442-41K00-000	PLATE, CLUTCH DRIVE NO.2 (T:3.0)	1	
10	21441-41K00-000	PLATE, CLUTCH DRIVE NO.1 (T:3.0)	6	
11	21451-41K00-000	PLATE, CLUTCH DRIVEN (T:1.6)	6	
12	21462-41K00-000	DISC, CLUTCH PRESSURE	1	
13	21481-41K00-000	SPRING, CLUTCH	5	
14	21482-41K00-000	BOLT, CLUTCH SPRING	5	
15	23121-41K00-000	PIECE, CLUTCH PULL	1	
16	08110-69030-000	BEARING	1	
17	08331-41309-000	CIRCLIP	1	
18	23122-41K00-000	CAMSHAFT, CLUTCH RELEASE	1	
19	09263-09002-000	BEARING (9X13X10)	1	
20	09263-12030-000	BEARING (12X16X10)	1	
21	09285-11001-000	SEAL (11X17X5)	1	
22	23271-41K00-000	ARM, CLUTCH RELEASE	1	
23	01500-0616B-000	BOLT	1	

206A

FIG. 206A (C-10) TRANSMISSION



REF NO.	PART NO.	DESCRIPTION	QTY	REMARKS
1	24121-41KA0-000	SHAFT, COUNTER (NT:12)	1	
2	24221-41KA0-000	GEAR, 2ND DRIVE (NT:16)	1	
3	24231-41KA0-000	GEAR, 3RD & 4TH DRIVE (NT:18)	1	
4	24261-41KA0-000	GEAR, 6TH DRIVE (NT:23)	1	
5	24252-41KA0-000	BUSH, 5TH DRIVE GEAR	1	
6	24251-41KA0-000	GEAR, 5TH DRIVE (NT:22)	1	
7	24130-41KA0-000	SHAFT, DRIVE	1	
8	24311-41KA0-000	GEAR, 1ST DRIVEN (NT:30)	1	
9	09263-17060-000	BEARING (22X29X16.8)	1	
10	24321-41KA0-000	GEAR, 2ND DRIVEN (NT:27)	1	
11	24331-41KA0-000	GEAR, 3RD DRIVEN (NT:25)	1	
12	24341-41KA0-000	GEAR, 4TH DRIVEN (NT:20)	1	
13	24361-41KA0-000	GEAR, 6TH DRIVEN (NT:19)	1	
14	24351-41KA0-000	GEAR, 5TH DRIVEN (NT:21)	1	
15	09262-17055-000	BEARING (17X14X12)	1	
16	08112-63040-000	BEARING	1	
17	09262-25189-000	BEARING (25X52X15)	1	
18	08110-62030-000	BEARING	1	
19	09380-22018-000	CIRCLIP	4	
20	09160-22088-000	WASHER (22X30X1)	1	
21	09160-17063-000	WASHER (17X26X1)	2	
22	09380-25016-000	CIRCLIP	1	
23	09283-34016-000	OIL SEAL (34X46X8)	1	
24	24751-41K00-000	RETAINER, DRIVE SHAFT OIL SEAL	1	
25	01500-0610A-000	BOLT	2	
26	24741-20A10-000	RETAINER, SHIFT CAM RH BEARING	2	
27	02112-0612A-000	SCREW	2	
28	09280-24008-000	O RING (D:2.5,ID:23.8)	1	
29	27531-41K00-000	SPACER, ENGINE SPROCKET	1	
30	27511-41K00-000	SPROCKET, ENGINE (NT:13)	1	
31	09167-25019-000	WASHER (25.3X41.6X1.0)	1	
32	09140-20022-000	NUT	1	
33	27610-41K00-114	CHAIN ASSY, DRIVE (DID520VF3)	1	
34	27620-41K00-000	.JOINT SET, CHAIN	1	

212A

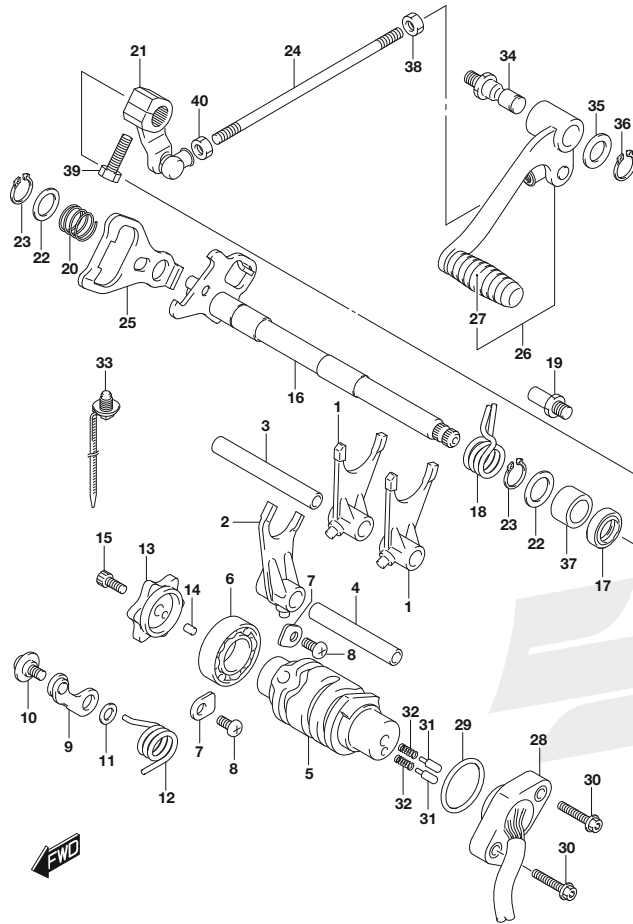
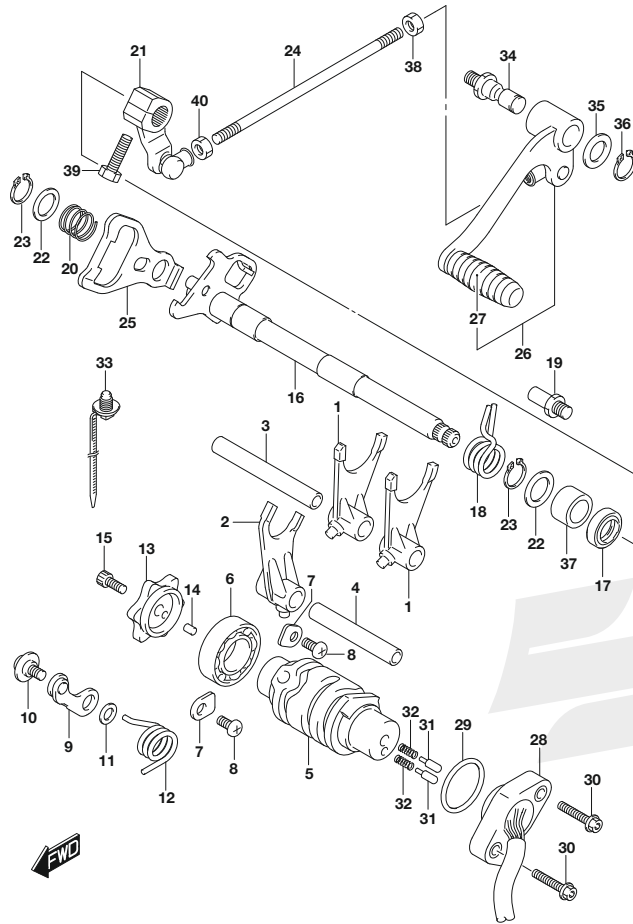


FIG. 212A (C-11) GEAR SHIFTING

REF NO.	PART NO.	DESCRIPTION	QTY	REMARKS
1	25211-14D10-000	FORK, GEAR SHIFT NO.1	2	
2	25231-14D10-000	FORK, GEAR SHIFT NO.3	1	
3	25411-48H00-000	SHAFT, GEAR SHIFT FORK NO.1	1	
4	25421-14D10-000	SHAFT, GEAR SHIFT FORK NO.2	1	
5	25311-41K00-000	CAM, GEAR SHIFT	1	
6	08110-6905A-000	BEARING	1	
7	24741-20A10-000	RETAINER, SHIFT CAM RH BEARING	2	
8	02112-0612A-000	SCREW	2	
9	25350-34J20-000	STOPPER, GEAR SHIFT CAM	1	
10	25357-34J00-000	BOLT (6X14.3)	1	
11	08211-06121-000	WASHER	1	
12	25355-34J10-000	SPRING, GEAR SHIFT CAM STOPPER	1	
13	25381-34J00-000	PLATE, GEAR SHIFT CAM	1	
14	04221-04089-000	PIN	1	
15	07130-0616A-000	BOLT	1	
16	25510-41K00-000	SHAFT, GEAR SHIFT	1	
17	09283-14011-000	OIL SEAL (14X22X6)	1	
18	25518-34J00-000	SPRING, SHIFT SHAFT RETURN	1	
19	25671-28G00-000	STOPPER, GEAR SHIFT ARM	1	
20	25515-34J00-000	SPRING, GEAR SHIFT PLATE RETURN	1	
21	25520-41K11-000	ARM, GEAR SHIFT LINK	1	
22	09181-14167-000	SHIM (14X22X1.0)	2	
23	08331-31149-000	CIRCLIP	2	
24	25525-20L00-000	ROD, GEAR SHIFT LINK	1	
25	25512-28G10-000	PLATE, GEAR SHIFT CAM DRIVE	1	
26	25600-41K10-000	LEVER ASSY, GEAR SHIFT	1	
27	25652-05J00-000	.RUBBER, GEAR SHIFT LEVER	1	
28	37720-41K01-000	BASE ASSY, GEAR SHIFT TERM	1	
29	09280-26005-000	O RING (D:2.4,ID:26.2)	1	
30	07120-0520A-000	BOLT	2	
31	09209-05011-000	PIN (5X15.5)	2	
32	09440-04010-000	SPRING	2	
33	09407-15L01-000	CLAMP (L:170)	1	
34	25617-03F20-000	SHAFT, GEAR SHIFT LEVER	1	
35	09160-12011-000	WASHER (12.5X20X1.0)	1	

212A

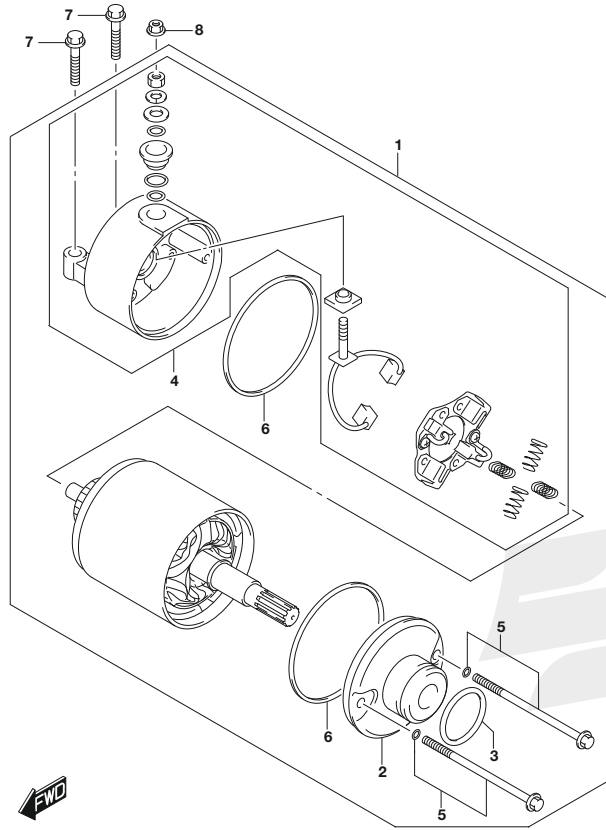
FIG. 212A (C-12) GEAR SHIFTING



REF NO.	PART NO.	DESCRIPTION	QTY	REMARKS
36	08331-3112A-000	CIRCLIP	1	
37	09263-14036-000	BEARING (14X20X12)	1	
38	09140-06025-000	NUT	1	
39	01500-0620B-000	BOLT	1	
40	08310-0006A-000	NUT	1	

301A

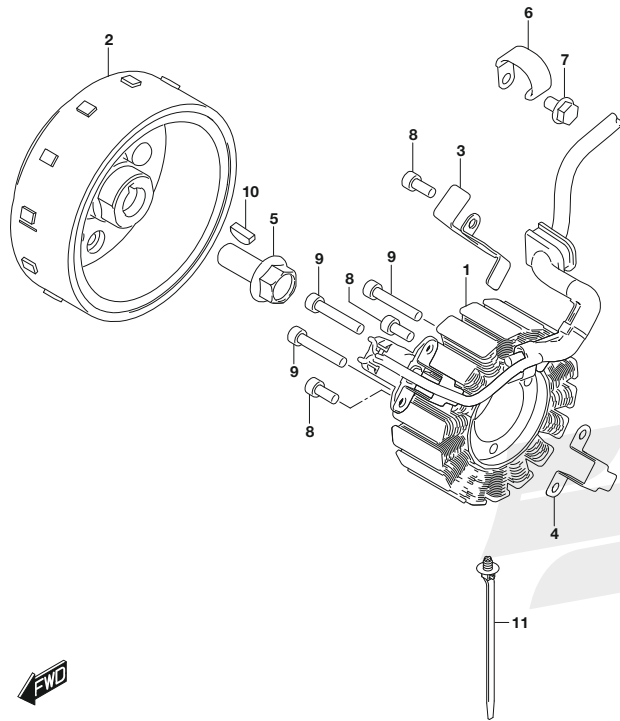
FIG. 301A (C-13) STARTING MOTOR



REF NO.	PART NO.	DESCRIPTION	QTY	REMARKS
1	31100-41K00-000	MOTOR ASSY, STARTING	1	
2	31150-41K00-000	.FRONT BRACKET	1	
3	31156-41K00-000	.O RING	1	
4	31175-41K00-000	.REAR BRACKET	1	
5	31280-41K00-000	.BOLT SET	1	
6	31264-41K00-000	.SEAL SET	1	
7	01547-0625A-000	BOLT	2	
8	08361-3506A-000	NUT	1	

303A

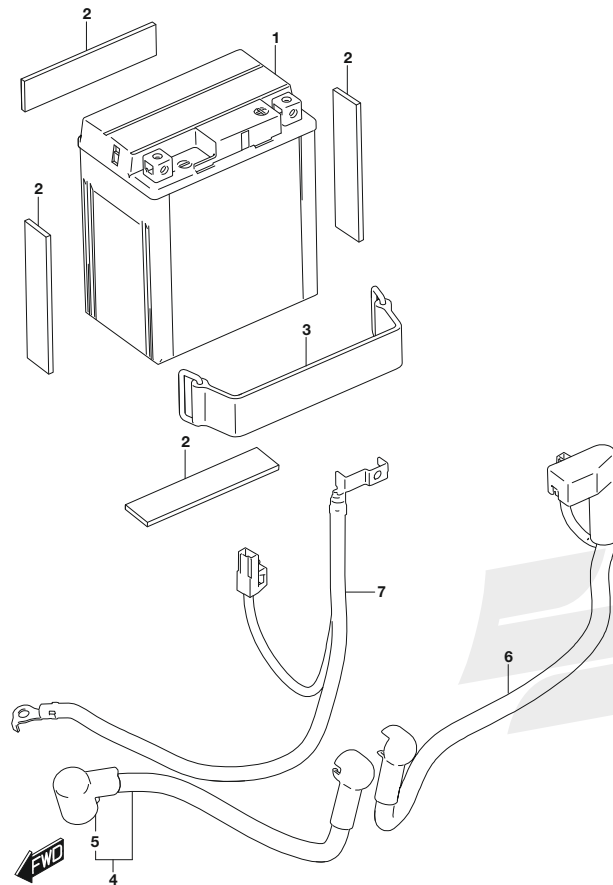
FIG. 303A (C-14) MAGNETO



REF NO.	PART NO.	DESCRIPTION	QTY	REMARKS
1	32101-41K00-000	STATOR ASSY, MAGNETO	1	
2	32102-41K00-000	ROTOR ASSY, MAGNETO	1	
3	32371-41K00-000	CLAMP, MAGNETO LEAD	1	
4	32371-41K10-000	CLAMP, SENSOR LEAD	1	
5	32491-41K00-000	BOLT, MAGNETO ROTOR	1	
6	09404-06433-000	CLAMP (L:80)	1	
7	01550-0610A-000	BOLT	1	
8	07130-0512B-000	BOLT	3	
9	07130-0530B-000	BOLT	3	
10	09420-04008-000	KEY (B:4,D:16,H6.5)	1	
11	09407-15L01-000	CLAMP (L:170)	1	

310A

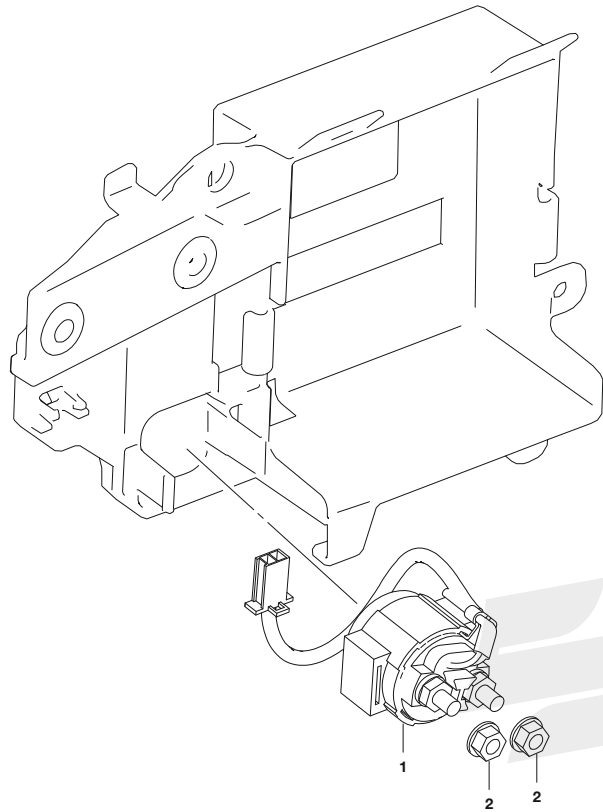
FIG. 310A (D-2) BATTERY



REF NO.	PART NO.	DESCRIPTION	QTY	REMARKS
1	33620-41K10-000	BATTERY ASSY (YTZ7,12V/6.3AH)	1	
2	33652-29100-000	PROTECTOR, BATTERY (170X95X3.0)	4	
3	09462-00007-000	BAND	1	
4	33810-41K10-000	WIRE, STARTER MOTOR LEAD	1	
5	33624-41K00-000	.CAP, STARTER LEAD	1	
6	33820-41K00-000	WIRE, BATTERY PLUS LEAD	1	
7	33860-41K00-000	WIRE, BATTERY MINUS LEAD	1	

311A

FIG. 311A (D-3) STARTOR RELAY

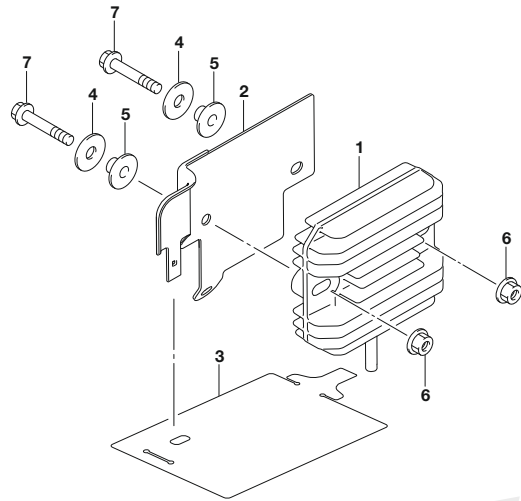


REF NO.	PART NO.	DESCRIPTION	QTY	REMARKS
1	31800-34J02-000	RELAY ASSY, STARTING MOTOR	1	
2	08361-3506A-000	NUT	2	



313A

FIG. 313A (D-4) RECTIFIER

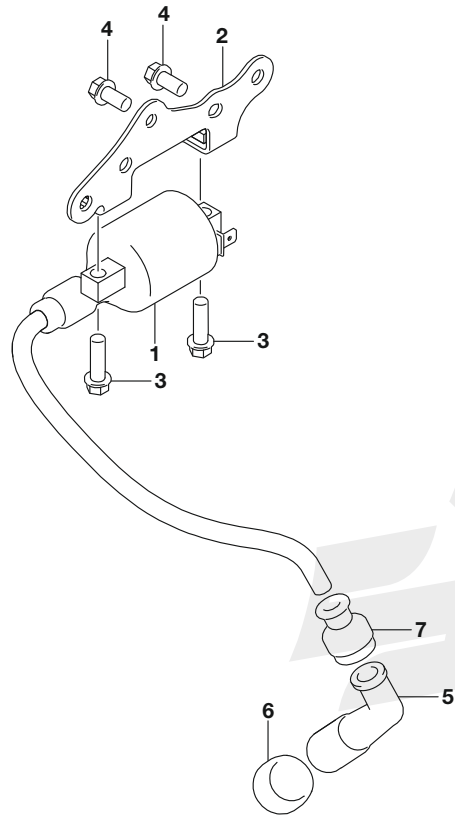


REF NO.	PART NO.	DESCRIPTION	QTY	REMARKS
1	32800-20K30-000	RECTIFIER ASSY	1	
2	32832-41K00-000	PLATE, RECTIFIER	1	
3	32852-41K00-000	PROTECTOR, RECTIFIER	1	
4	09160-06060-000	WASHER (6.5X20X1.2)	2	
5	09180-06380-000	SPACER (6.2X8.4X6.9)	2	
6	08316-1006B-000	NUT	2	
7	01547-0630B-000	BOLT	2	



316A

FIG. 316A (D-5) IGNITION COIL



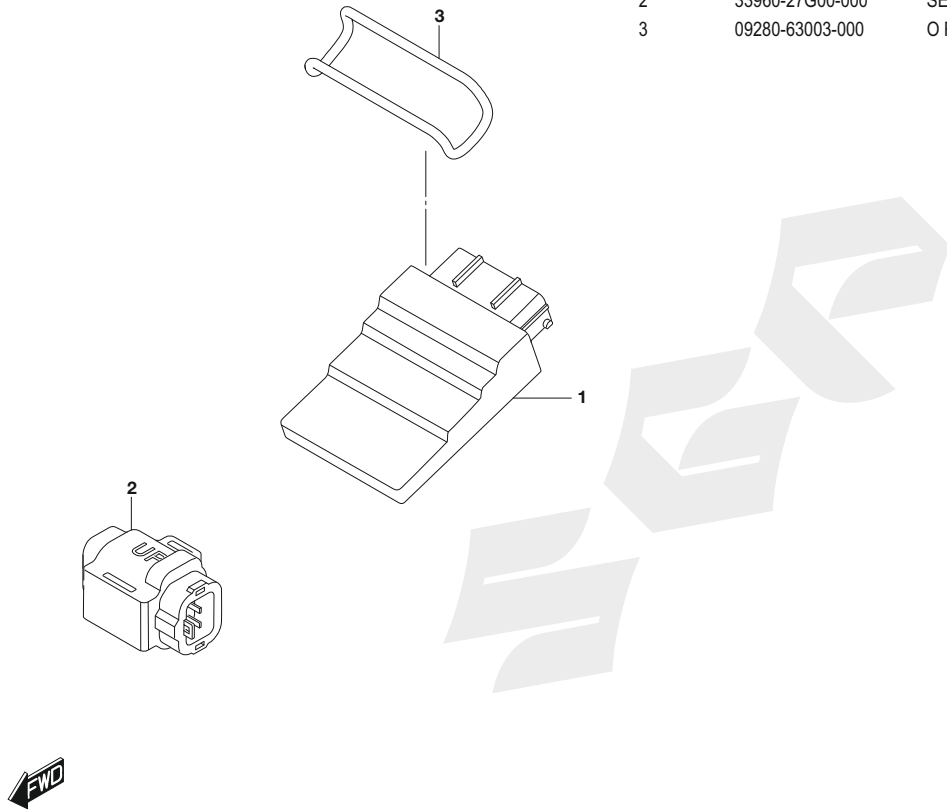
REF NO.	PART NO.	DESCRIPTION	QTY	REMARKS
1	33410-41K00-000	COIL ASSY, IGNITION	1	
2	33414-41K00-000	BRACKET, IGNITION COIL	1	
3	01547-0620A-000	BOLT	2	
4	01547-0612A-000	BOLT	2	
5	33510-41K00-000	CAP ASSY, SPARK PLUG	1	
6	33541-08K00-000	SEAL, SPARK PLUG	1	
7	33542-30H00-000	SEAL, HIGH TENSION CORD	1	



322A

FIG. 322A (D-6) ELECTRIC POWER CONTROL UNIT

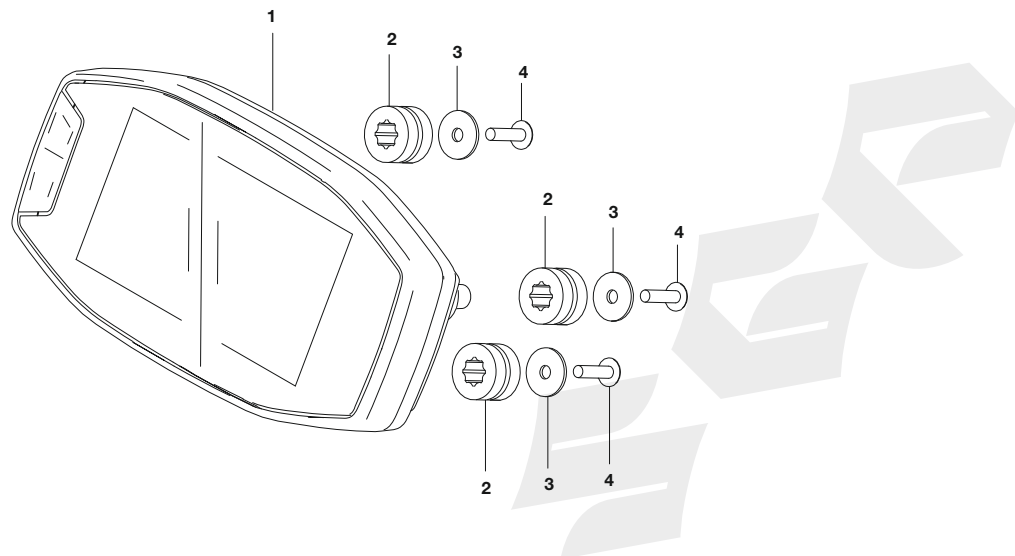
REF NO.	PART NO.	DESCRIPTION	QTY	REMARKS
1	32920-20L00-000	CONTROL UNIT, FI	1	
2	33960-27G00-000	SENSOR ASSY, FUEL CUT	1	
3	09280-63003-000	O RING (D:3.5,ID:62.6)	1	



330A

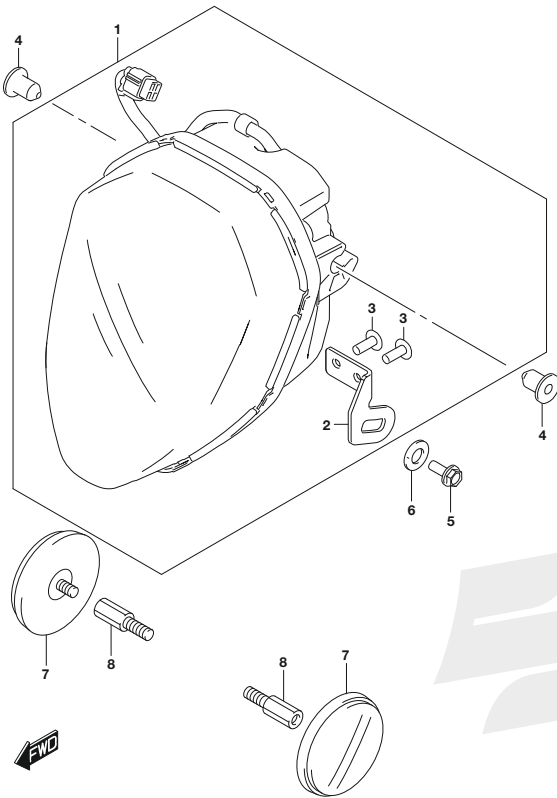
FIG. 330A (D-7) SPEEDOMETER

REF NO.	PART NO.	DESCRIPTION	QTY	REMARKS
1	34100-20LA1-000	SPEEDOMETER ASSY	1	
2	34189-34J00-000	CUSHION, SPEEDOMETER	3	
3	09160-04026-000	WASHER (4.5X16X1.2)	3	
4	03541-0416A-000	SCREW	3	



333A

FIG. 333A (D-8) HEADLAMP



REF NO.	PART NO.	DESCRIPTION	QTY	REMARKS
1	35100-20L00-000	HEADLAMP ASSY	1	
2	35159-20L00-000	.BRACKET	1	
3	03541-0616B-000	.SCREW	2	
4	51831-30H00-000	CUSHION, METER BRACE	2	
5	02162-0616B-000	SCREW	1	
6	09160-06151-000	WASHER (6.5X18X1)	1	
7	35950-20L00-000	REFLEX REFLECTOR ASSY, SIDE	2	
8	09119-06140-000	BOLT	2	

334A

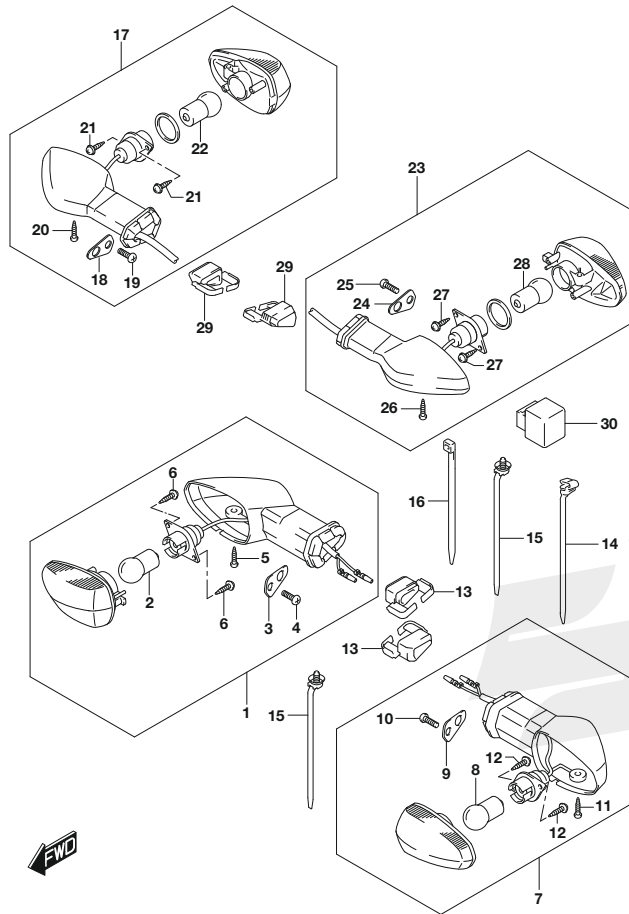
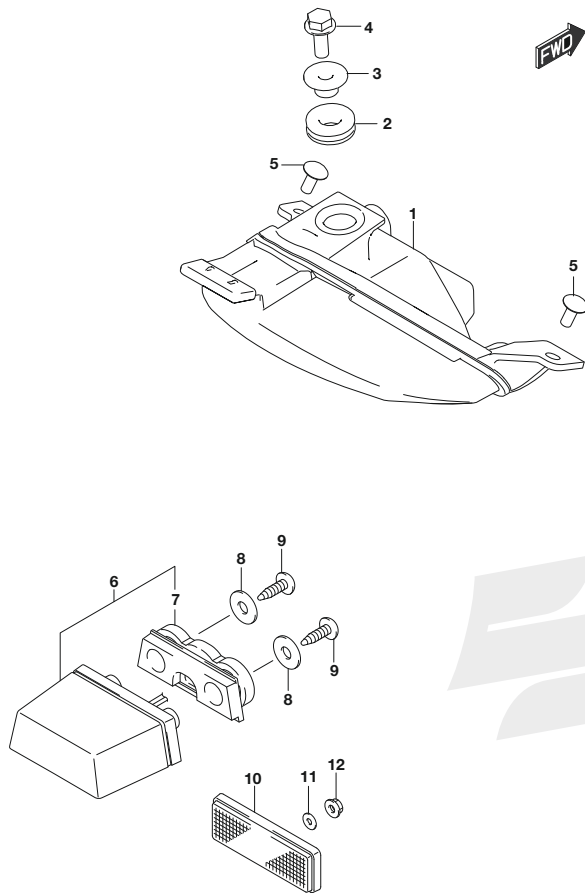


FIG. 334A (D-9) TURNSIGNAL LAMP

REF NO.	PART NO.	DESCRIPTION	QTY	REMARKS
1	35601-20LE0-000	LAMP ASSY, FRONT TURNSIGNAL RH	1	
2	35222-34J80-000	.BULB (12V10W,AMBER)	1	
3	35616-34J00-000	.PLATE	1	
4	35623-34J00-000	.SCREW	1	
5	35623-34J30-000	.SCREW	1	
6	35623-34J40-000	.SCREW	2	
7	35602-20LE0-000	LAMP ASSY, FRONT TURNSIGNAL LH	1	
8	35222-34J80-000	.BULB (12V10W,AMBER)	1	
9	35616-34J00-000	.PLATE	1	
10	35623-34J00-000	.SCREW	1	
11	35623-34J30-000	.SCREW	1	
12	35623-34J40-000	.SCREW	2	
13	35629-34J30-000	PLATE, FRONT TURNSIGNAL	2	
14	36990-44J10-000	CLAMP	1	
15	09407-15L01-000	CLAMP (L:170)	2	
16	09407-14407-000	CLAMP (L:145)	1	
17	35603-20L50-000	LAMP ASSY, REAR TURNSIGNAL RH	1	
18	35616-34J00-000	.PLATE	1	
19	35623-34J00-000	.SCREW	1	
20	35623-34J30-000	.SCREW	1	
21	35623-34J40-000	.SCREW	2	
22	09471-12226-000	.BULB (12V10W,AMBER)	1	
23	35604-20L50-000	LAMP ASSY, REAR TURNSIGNAL LH	1	
24	35616-34J00-000	.PLATE	1	
25	35623-34J00-000	.SCREW	1	
26	35623-34J30-000	.SCREW	1	
27	35623-34J40-000	.SCREW	2	
28	09471-12226-000	.BULB (12V10W,AMBER)	1	
29	35629-34J30-000	PLATE, FRONT TURNSIGNAL	2	
30	38610-27K01-000	RELAY ASSY, TURNSIGNAL	1	

339A

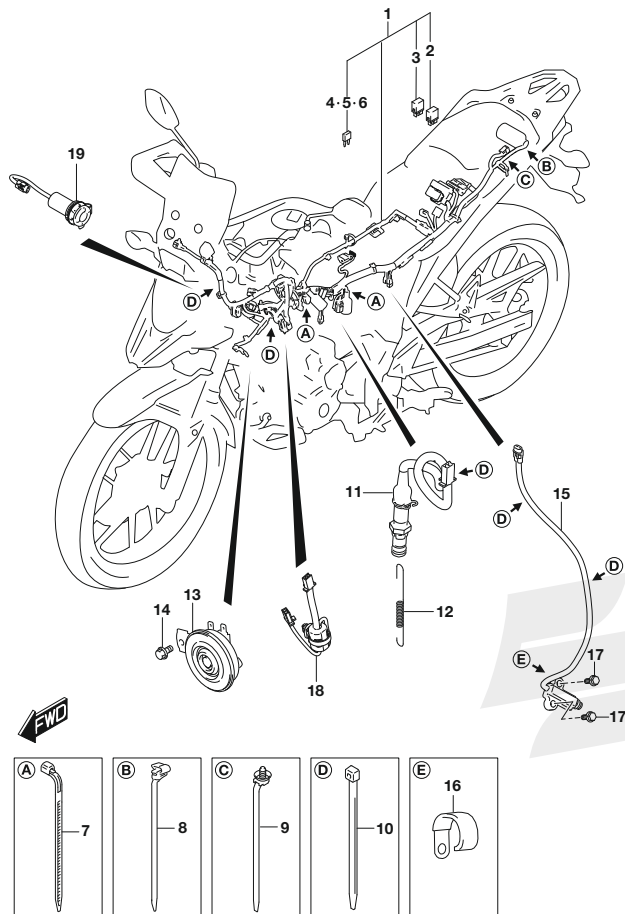
FIG. 339A (D-10) REAR COMBINATION LAMP



REF NO.	PART NO.	DESCRIPTION	QTY	REMARKS
1	35710-20L00-000	LAMP ASSY, REAR COMB	1	
2	47161-23J00-000	CUSHION (10X22X7)	1	
3	53275-34J00-000	SPACER, FR FENDER	1	
4	01550-0616A-000	BOLT	1	
5	03541-0512A-000	SCREW	2	
6	35910-23K10-000	LAMP ASSY, LICENSE	1	
7	35913-23K00-000	.RUBBER	1	
8	09160-05050-000	WASHER (5.5X18X1)	2	
9	03541-0512A-000	SCREW	2	
10	35970-28G00-000	REFLECTOR ASSY, RR	1	
11	09160-05050-000	WASHER (5.5X18X1)	1	
12	08319-2105A-000	NUT	1	

350A

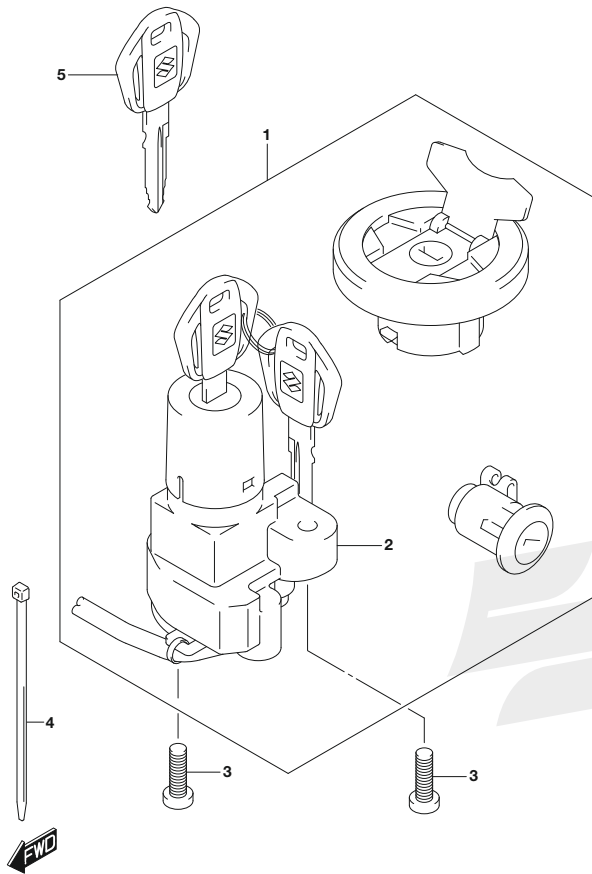
FIG. 350A (D-11) WIRING HARNESS



REF NO.	PART NO.	DESCRIPTION	QTY	REMARKS
1	36610-20L20-000	HARNESS, WIRING	1	
2	38860-76F01-000	.RELAY ASSY	1	FAN MOTOR
3	38860-76F01-000	.RELAY ASSY	1	STARTER SUB
4	09481-10501-000	.FUSE (10A)	3	
5	09481-15501-000	.FUSE (15A)	2	
6	09481-20501-000	.FUSE (20A)	1	
7	36990-70F20-000	CLAMP, COMB SW WIRE (L:165)	2	
8	36990-44J10-000	CLAMP	1	
9	09407-14L01-000	CLAMP (L:125)	1	
10	09407-14407-000	CLAMP (L:145)	5	
11	37740-34J20-000	SWITCH ASSY, STOP LAMP	1	
12	43232-34J00-000	SPRING, STOP LAMP SWITCH	1	
13	38500-41K01-000	HORN ASSY	1	
14	01550-0610B-000	BOLT	1	
15	37840-48K00-000	SWITCH ASSY, SIDE STAND	1	
16	09404-06429-000	CLAMP (L:45)	1	
17	01550-0620A-000	BOLT	2	
18	36852-20L10-000	WIRE, FAN MOTOR LEAD	1	
19	39105-44K31-000	SOCKET, USB	1	

352A

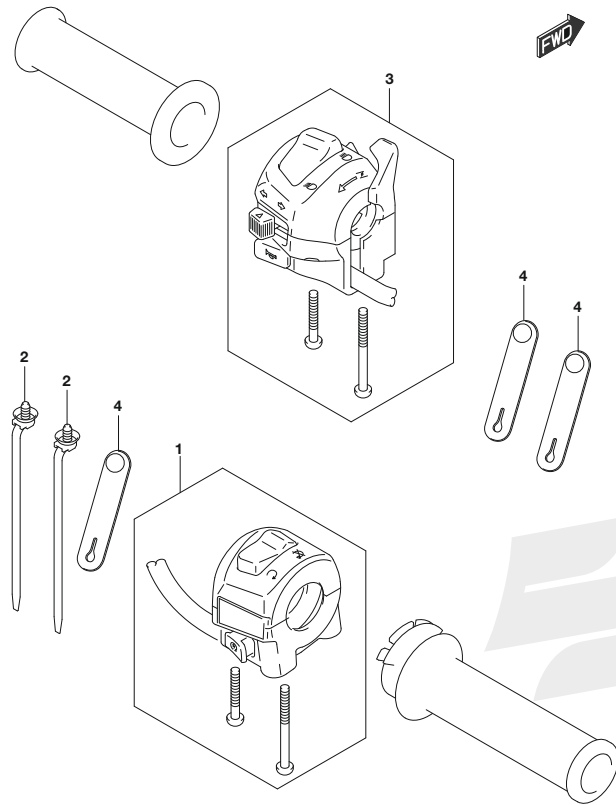
FIG. 352A (D-12) LOCK SET



REF NO.	PART NO.	DESCRIPTION	QTY	REMARKS
1	37101-20891-000	LOCK SET	1	
2	37100-20L01-000	.LOCK ASSY, STEERING	1	
3	37152-30H00-000	BOLT, STEERING LOCK	2	
4	09407-14407-000	CLAMP (L:145)	1	
5	37146-41K00-000	KEY, BLANK	1	OPT

355A

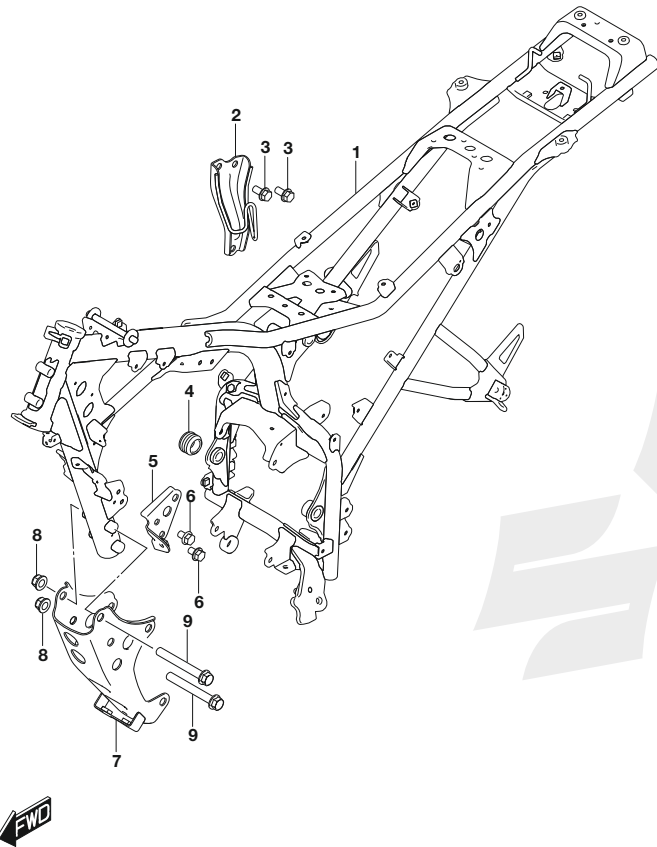
FIG. 355A (D-13) HANDLE SWITCH



REF NO.	PART NO.	DESCRIPTION	QTY	REMARKS
1	37200-27K21-000	SWITCH ASSY, HANDLE RH	1	
2	09407-15L01-000	CLAMP (L:170)	2	
3	37400-27K20-000	SWITCH ASSY, HANDLE LH	1	
4	36990-20L00-000	CLAMP, HANDLE SWITCH	3	

401A

FIG. 401A (D-14) FRAME

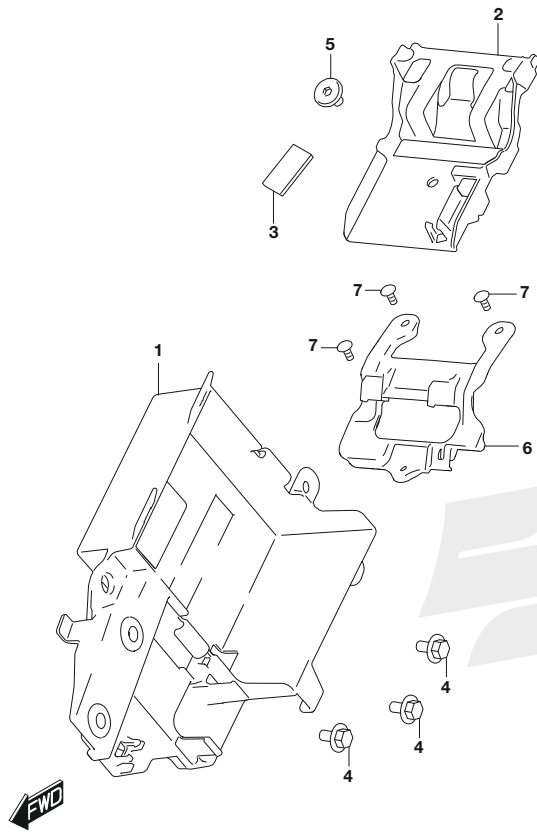


REF NO.	PART NO.	DESCRIPTION	QTY	REMARKS
1	41100-20L00-000	FRAME	1	
2	41980-41K00-000	PLATE, ENG MTG UPPER	1	
3	01550-0816A-000	BOLT	2	
4	43585-27K00-000	CAP, FRAME BRIDGE LOWER	1	
5	41994-41K00-000	PLATE, ENG MTG FRONT	1	
6	01550-0812B-000	BOLT	2	
7	41990-20L00-000	BRACKET, ENG MTG LOWER	1	
8	08319-3110B-000	NUT	2	
9	41933-34J00-000	BOLT, ENG MTG LOWER	2	

406A

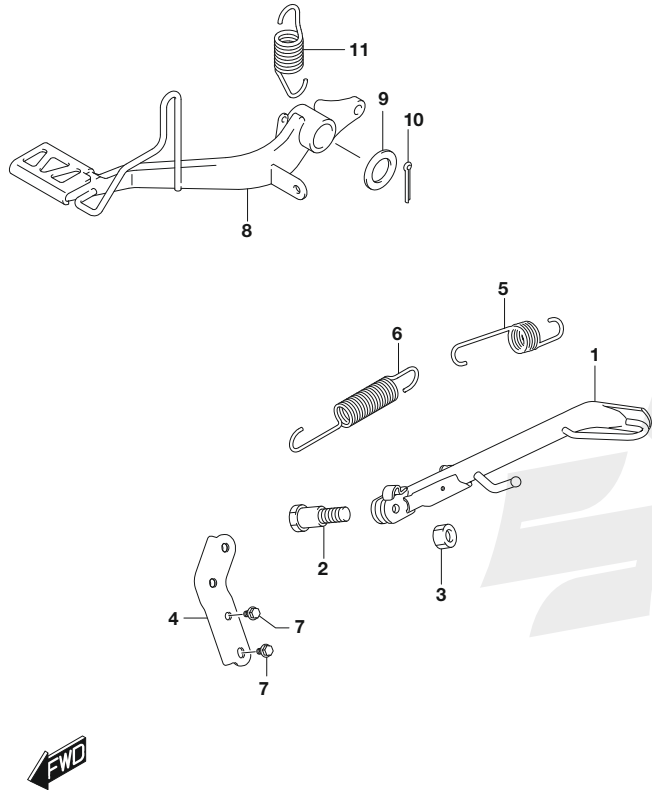
FIG. 406A (E-2) HOLDER

REF NO.	PART NO.	DESCRIPTION	QTY	REMARKS
1	41542-41K00-000	HOLDER, BATTERY	1	
2	47431-20L00-000	HOLDER, OWNER'S MANUAL	1	
3	48178-31C00-000	CUSHION (15X30X3)	1	
4	09111-06063-000	BOLT (6X12)	3	
5	09139-06219-000	BOLT (6X13)	1	
6	47421-20L00-000	HOLDER, ELECTRIC PARTS	1	
7	03541-0512A-000	SCREW	3	



407A

FIG. 407A (E-3) STAND

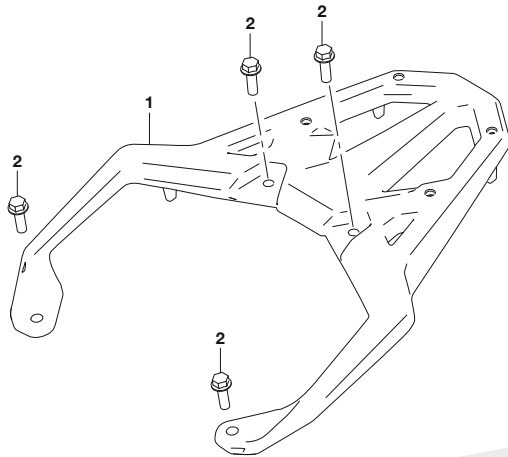


REF NO.	PART NO.	DESCRIPTION	QTY	REMARKS
1	42310-20L00-000	STAND, PROP	1	
2	42341-27K00-000	BOLT, PROP STAND (10X33)	1	
3	08319-2110B-000	NUT	1	
4	42360-41K00-000	PLATE, SIDE STAND SWITCH	1	
5	42423-48H00-000	SPRING, PROP STAND	1	
6	42424-48H00-000	SPRING, PROP STAND OUTER	1	
7	01550-0612B-000	BOLT	2	
8	43110-34J20-000	PEDAL, BRAKE	1	
9	09160-15002-000	WASHER (15.5X26X2.3)	1	
10	04111-3025A-000	PIN	1	
11	43211-23J00-000	SPRING, BRAKE PEDAL	1	

412A

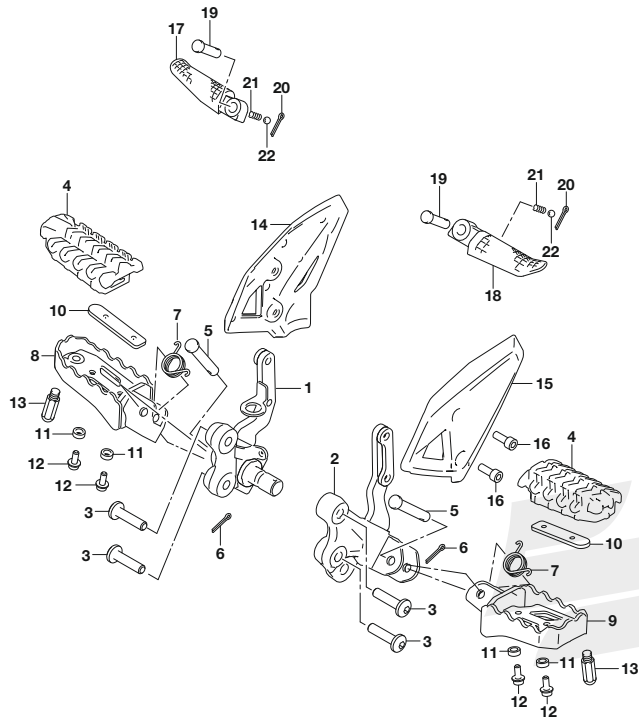
FIG. 412A (E-4) CARRIER

REF NO.	PART NO.	DESCRIPTION	QTY	REMARKS
1	46311-20L00-000	CARRIER, SPORT	1	
2	01550-0825A-000	BOLT	4	
3	68391-20L00-000	LABEL, CARRIER WARNING	1	



415A

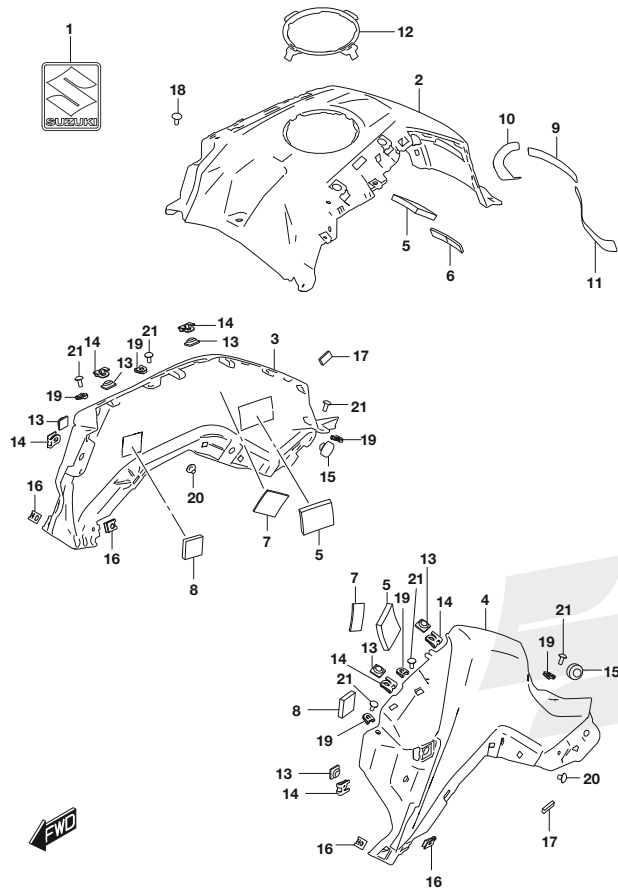
FIG. 415A (E-5) FOOTREST



REF NO.	PART NO.	DESCRIPTION	QTY	REMARKS
1	43510-20L00-000	BRACKET, FR FOOTREST RH	1	
2	43520-20L00-000	BRACKET, FR FOOTREST LH	1	
3	09106-08210-000	BOLT	4	
4	43551-06L00-000	RUBBER, FR FOOTREST	2	
5	09200-08077-000	PIN	2	
6	04111-2515A-000	PIN	2	
7	09448-20012-000	SPRING	2	
8	43530-06L00-000	BAR, FRONT FOOTREST RH	1	
9	43540-06L00-000	BAR, FRONT FOOTREST LH	1	
10	43552-06L00-000	PLATE, FR FOOTREST RUBBER	2	
11	47512-28K00-000	SPACER, FR FOOTREST RUBBER	4	
12	07120-0512A-000	BOLT	4	
13	43576-48B80-000	BOLT, BANK SENSOR	2	
14	43571-20L00-000	GUARD, FR FOOTREST RH	1	
15	43572-20L00-000	GUARD, FR FOOTREST LH	1	
16	07130-0616A-000	BOLT	2	
17	43611-37H70-000	BAR, PILLION FOOTREST RH	1	
18	43621-37H70-000	BAR, PILLION FOOTREST LH	1	
19	43529-34J10-000	PIN, PILLION FOOTREST	2	
20	04111-2515A-000	PIN	2	
21	09440-05003-000	SPRING	2	
22	06111-07004-000	BALL	2	

423A

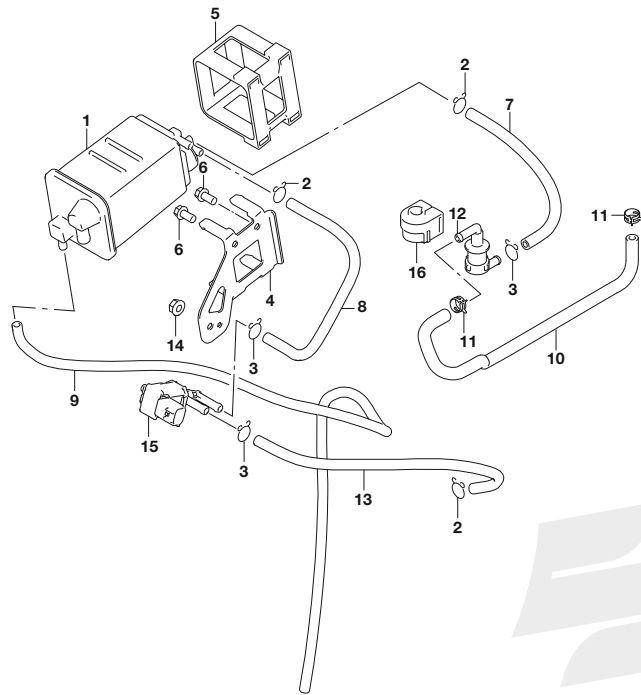
FIG. 423A (E-7) FUEL TANK COVER



REF NO.	PART NO.	DESCRIPTION	QTY	REMARKS
1	68281-44K00-000	EMBLEM, S	1	
2	44171-20L00-YKV	COVER, FUEL TANK CENTER (BLACK)	1	
3	44181-20L00-YVB	COVER, FUEL TANK RH (BLACK)	1	
4	44191-20L00-YVB	COVER, FUEL TANK LH (BLACK)	1	
5	44271-20L00-000	CUSHION, FUEL TANK COV CTR NO.1	3	
6	44272-20L00-000	CUSHION, FUEL TANK COV CTR NO.2	1	
7	44281-20L00-000	CUSHION, TANK COVER SIDE NO.1	2	
8	44282-20L00-000	CUSHION, TANK COVER SIDE NO.2	2	
9	44283-20L00-000	PROTECTOR, TANK COVER CTR	1	
10	44284-20L00-000	PROTECTOR, FUEL TANK COVER RH	1	
11	44285-20L00-000	PROTECTOR, FUEL TANK COVER LH	1	
12	44295-41K00-000	RUBBER, FUEL TANK COVER	1	
13	44523-20L00-000	NUT, M5	6	
14	44552-20L00-000	CLIP, NUT	6	
15	45148-27K00-000	CUSHION, SEAT MOUNT	2	
16	47349-34J01-000	NUT (M5)	4	
17	63114-41K00-000	CUSHION, FENDER RR FR	2	
18	09139-05096-000	BOLT (5X13)	1	
19	09148-05L04-000	NUT (M5)	6	
20	02142-0608A-000	SCREW	2	
21	03541-0512A-000	SCREW	6	

427A

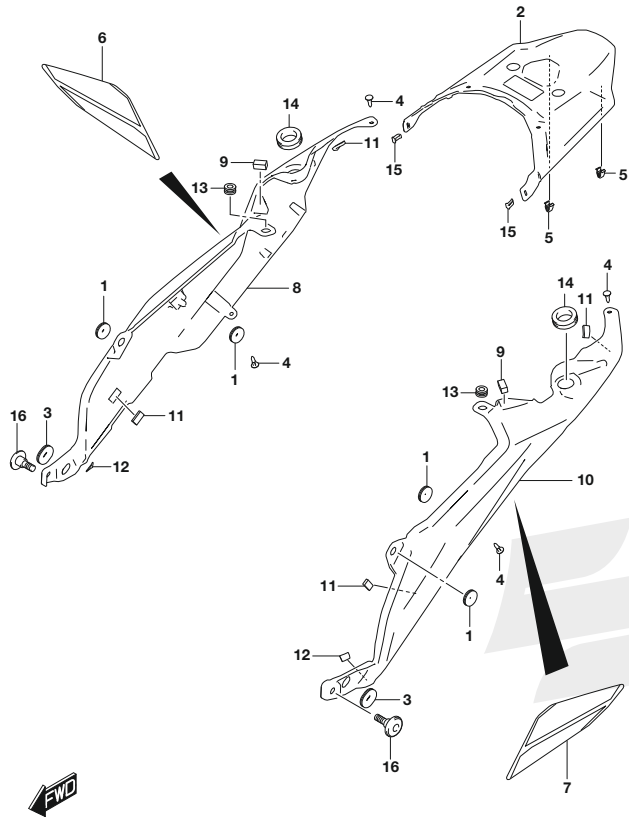
FIG. 427A (E-8) EVAP SYSTEM



REF NO.	PART NO.	DESCRIPTION	QTY	REMARKS
1	18560-27KA0-000	CANISTER ASSY, EVAP	1	
2	09401-08004-000	CLIP	3	
3	09401-09406-000	CLIP	3	
4	18571-41K00-000	BRACKET, CANISTER	1	
5	18572-29J00-000	CUSHION, CANISTER	1	
6	01547-0612A-000	BOLT	2	
7	18561-41K00-000	HOSE, CANISTER SURGE	1	
8	18562-41K00-000	HOSE, CANISTER PURGE NO.1	1	
9	18568-41K00-000	HOSE, CANISTER DRAIN	1	
10	44434-20L00-000	HOSE, TANK & BRTHR VALVE	1	
11	09401-11009-000	CLIP	2	
12	44240-13H00-000	VALVE, FUEL TANK BREATHER	1	
13	18563-41K00-000	HOSE, CANISTER PURGE NO.2	1	
14	08316-1006A-000	NUT	1	
15	18117-73M00-000	VALVE, CANISTER PURGE	1	
16	44894-34J00-000	CUSHION, FUEL TANK BRTHR VALVE	1	

445A

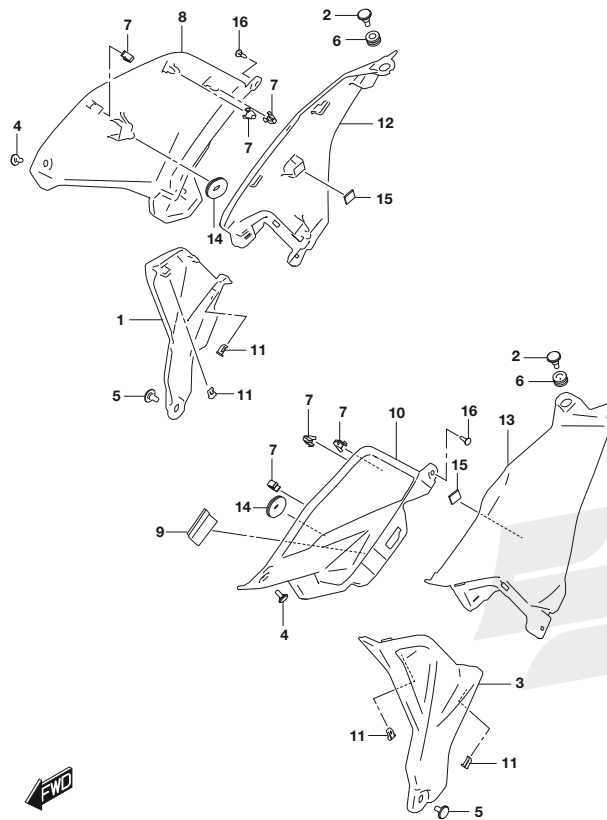
FIG. 445A (E-9) FRAME COVER



REF NO.	PART NO.	DESCRIPTION	QTY	REMARKS
1	47162-30H00-000	CUSHION (8X26X7)	4	
2	47311-20L00-000	COVER, FRAME CENTER	1	
3	47315-41K00-000	CUSHION (8-14X26-32X7)	2	
4	09409-06346-000	CLIP	4	
5	09409-08014-000	CLIP	2	
6-1	68135-20L00-CDT	TAPE, FRAME COVER REAR RH	1	FOR YU1
6-2	68135-20L00-CDU	TAPE, FRAME COVER REAR RH	1	FOR YVB
6-3	68135-20L00-CDV	TAPE, FRAME COVER REAR RH	1	FOR QVN
7-1	68145-20L00-CDT	TAPE, FRAME COVER REAR LH	1	FOR YU1
7-2	68145-20L00-CDU	TAPE, FRAME COVER REAR LH	1	FOR YVB
7-3	68145-20L00-CDV	TAPE, FRAME COVER REAR LH	1	FOR QVN
8-1	47131-20L00-YU1	COVER, FRAME REAR RH (YELLOW)	1	
8-2	47131-20L00-YVB	COVER, FRAME REAR RH (BLACK)	1	
8-3	47131-20L00-QVN	COVER, FRAME REAR RH (ORANGE)	1	
9	47132-20L00-000	CUSHION	2	
10-1	47231-20L00-YU1	COVER, FRAME REAR LH (YELLOW)	1	
10-2	47231-20L00-YVB	COVER, FRAME REAR LH (BLACK)	1	
10-3	47231-20L00-QVN	COVER, FRAME REAR LH (ORANGE)	1	
11	63114-41K00-000	CUSHION, FENDER RR FR	4	
12	94433-05J00-000	CUSHION (10X15X1)	2	
13	09320-09016-000	CUSHION (9X18X9.5)	2	
14	09320-20011-000	CUSHION (20X32X9)	2	
15	09409-08009-000	CLIP	2	
16	09139-06219-000	BOLT (6X13)	2	

446A

FIG. 446A (E-10) FRAME LOWER COVER

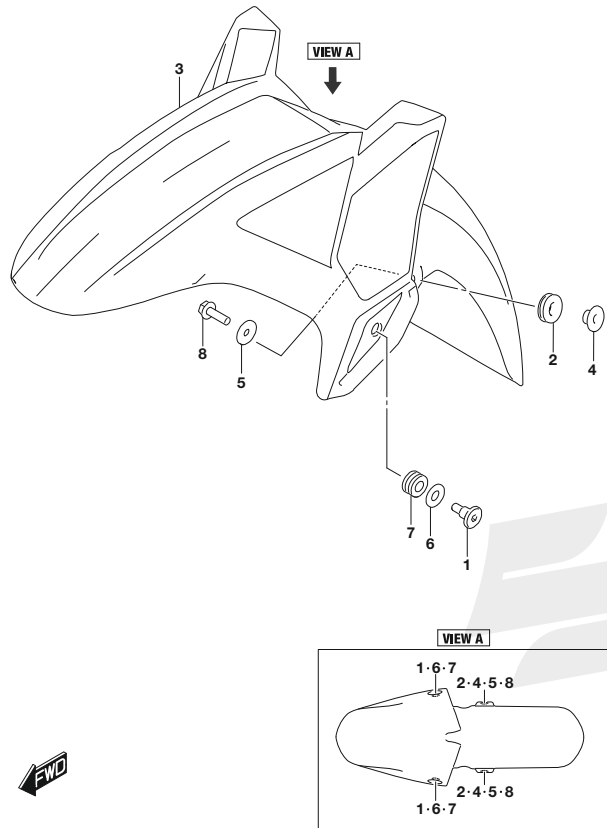


REF NO.	PART NO.	DESCRIPTION	QTY	REMARKS
1	47111-20L00-YHG	COVER, FRAME RH (GRAY)	1	
2	47123-41K00-000	SCREW (6X20)	2	
3	47211-20L00-YHG	COVER, FRAME LH (GRAY)	1	
4	09139-05092-000	SCREW (5X13)	2	
5	09139-06230-000	SCREW (6X13)	2	
6	09320-09016-000	CUSHION (9X18X9.5)	2	
7	09409-08014-000	CLIP	6	
8	47121-20L00-000	COVER, FRAME FRONT RH	1	
9	47122-20L00-000	CUSHION	1	
10	47221-20L00-000	COVER, FRAME FRONT LH	1	
11	09409-08009-000	CLIP	4	
12	47112-20L00-000	COVER, FRAME UPPER RH	1	
13	47212-20L00-000	COVER, FRAME UPPER LH	1	
14	47315-41K00-000	CUSHION (8-14X26-32X7)	2	
15	94642-10GA0-000	CUSHION (15X15X2)	2	
16	09409-06346-000	CLIP	2	

460A

FIG. 460A (E-11) FRONT FENDER

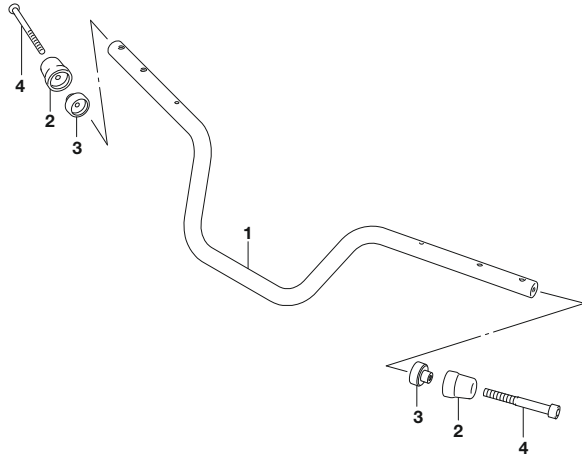
REF NO.	PART NO.	DESCRIPTION	QTY	REMARKS
1	47123-41K00-000	SCREW (6X20)	2	
2	47161-23J00-000	CUSHION (10X22X7)	2	
3	53111-20L00-000	FENDER, FRONT	1	
4	53275-34J00-000	SPACER, FR FENDER	2	
5	09160-06060-000	WASHER (6.5X20X1.2)	2	
6	09160-09015-000	WASHER (9X19X1.0)	2	
7	09320-09016-000	CUSHION (9X18X9.5)	2	
8	01550-0620A-000	BOLT	2	



462A

FIG. 462A (E-12) HANDLEBAR

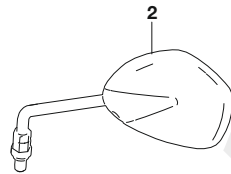
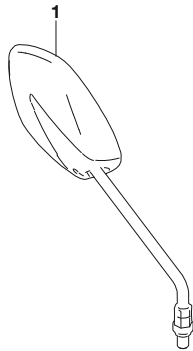
REF NO.	PART NO.	DESCRIPTION	QTY	REMARKS
1	56110-20L00-000	HANDLEBAR	1	
2	56278-20L00-000	BALANCER, HANDLEBAR	2	
3	57346-41KA0-000	SPACER, KNUCKLE COVER	2	
4	07130-0655B-000	BOLT	2	



464A

FIG. 464A (E-13) REAR VIEW MIRROR

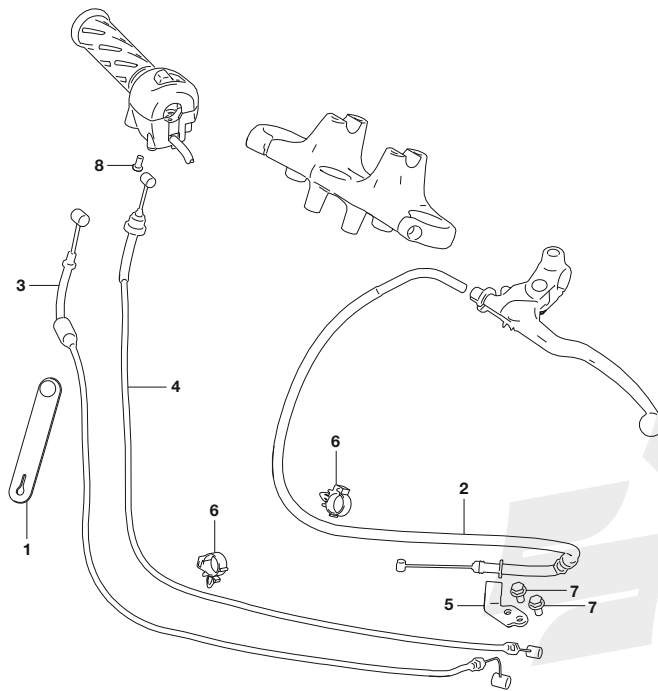
REF NO.	PART NO.	DESCRIPTION	QTY	REMARKS
1	56500-34JB0-000	MIRROR ASSY, REAR VIEW RH	1	
2	56600-34JB0-000	MIRROR ASSY, REAR VIEW LH	1	



466A

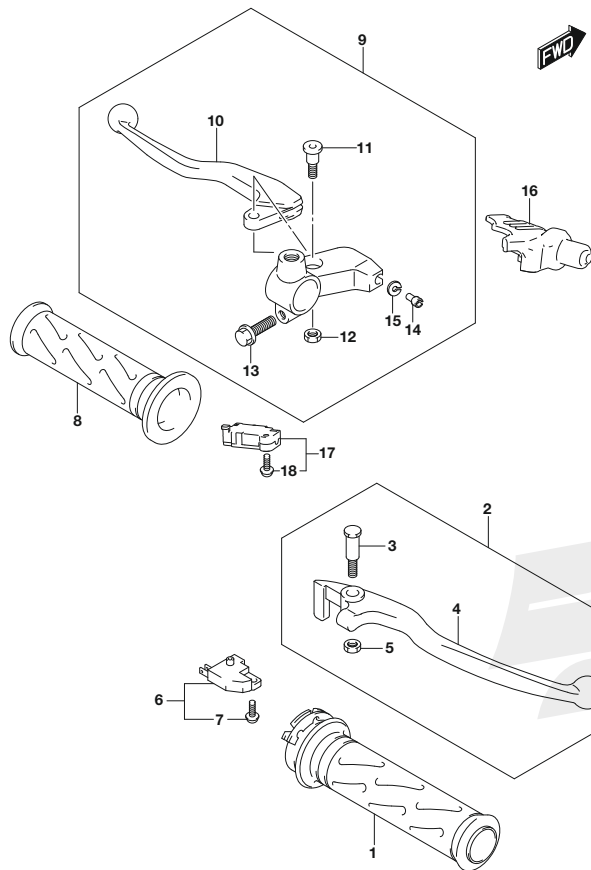
FIG. 466A (E-14) CONTROL CABLE

REF NO.	PART NO.	DESCRIPTION	QTY	REMARKS
1	36990-20L10-000	CLAMP	1	
2	58200-20L00-000	CABLE ASSY, CLUTCH	1	
3	58300-20L00-000	CABLE ASSY, THROTTLE NO.1	1	
4	58300-20L10-000	CABLE ASSY, THROTTLE NO.2	1	
5	58634-41K10-000	STOPPER, CLUTCH CABLE	1	
6	09403-18409-000	CLAMP	2	
7	01550-0612A-000	BOLT	2	
8	02112-0510B-000	SCREW	1	



467A

FIG. 467A (F-2) HANDLE LEVER

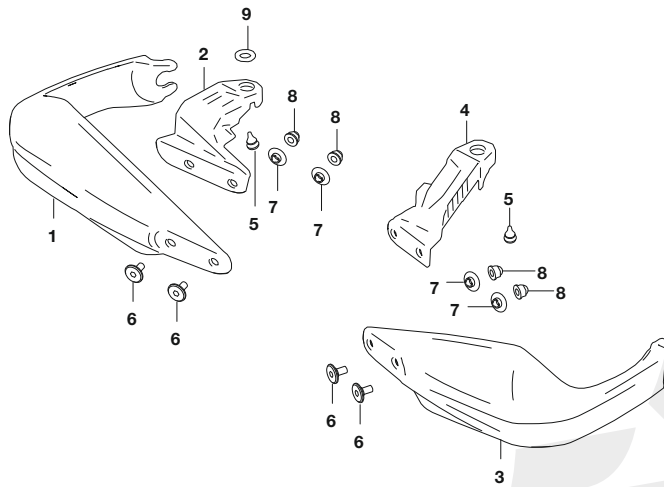


REF NO.	PART NO.	DESCRIPTION	QTY	REMARKS
1	57110-30H11-000	GRIP, THROTTLE	1	
2	57300-41K00-000	LEVER ASSY, BRAKE	1	
3	57431-30H20-000	.BOLT, BRAKE LEVER PIVOT	1	
4	57421-41K00-000	.LEVER, BRAKE	1	
5	57433-30H10-000	.NUT, BRAKE LEVER PIVOT	1	
6	57460-14J02-000	SWITCH ASSY, FR BRAKE	1	
7	57465-17C00-000	.SCREW, WITH WASHER (4X12)	1	
8	57211-22D12-000	GRIP LH	1	
9	57500-41K00-000	LEVER ASSY, CLUTCH	1	
10	57621-41K00-000	.LEVER, CLUTCH	1	
11	57431-41K00-000	.BOLT, CLUTCH LEVER PIVOT	1	
12	08319-2106A-000	.NUT	1	
13	01547-0620B-000	.BOLT	1	
14	57441-41K00-000	.ADJUSTER, CLUTCH CABLE	1	
15	57442-41K00-000	.NUT, LOCK	1	
16	57661-41K00-000	COVER, CLUTCH LEVER	1	
17	37560-41K00-000	SWITCH ASSY, CLUTCH	1	
18	37562-41K00-000	.SCREW, CLUTCH SWITCH	1	

472A

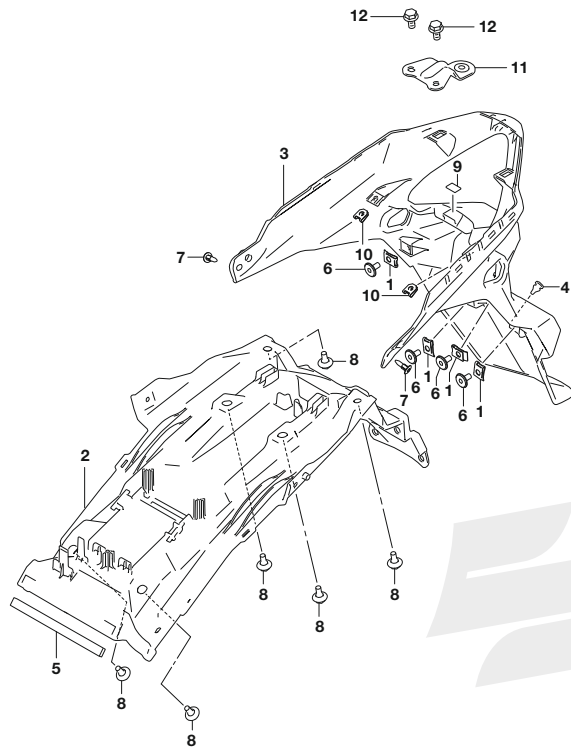
FIG. 472A (F-3) KNUCKLE COVER

REF NO.	PART NO.	DESCRIPTION	QTY	REMARKS
1	57341-41KA1-000	COVER, KNUCKLE RH	1	
2	57472-20L00-000	BRACKET, KNUCKLE COVER RH	1	
3	57541-41KA1-000	COVER, KNUCKLE LH	1	
4	57672-20L00-000	BRACKET, KNUCKLE COVER LH	1	
5	63118-41K00-000	PLUG, REAR FENDER	2	
6	09139-06230-000	SCREW (6X13)	4	
7	09169-06099-000	WASHER	4	
8	08313-2006B-000	NUT	4	
9	08322-0110A-000	WASHER	1	



474A

FIG. 474A (F-4) REAR FENDER



REF NO.	PART NO.	DESCRIPTION	QTY	REMARKS
1	35157-34J00-000	NUT (M6)	4	
2	63111-20L00-000	FENDER, REAR FRONT	1	
3	63112-20L00-000	FENDER, REAR REAR	1	
4	63118-41K00-000	PLUG, REAR FENDER	1	
5	63191-34J00-000	CUSHION, REAR FENDER	1	
6	09139-06230-000	SCREW (6X13)	4	
7	09409-06346-000	CLIP	2	
8	09111-06102-000	BOLT (6X14.8)	6	
9	94433-05J00-000	CUSHION (10X15X1)	1	
10	09148-05060-000	NUT (M5)	2	
11	47410-20L00-000	BRACKET, REAR COMB LAMP	1	
12	01550-0612A-000	BOLT	2	

481A

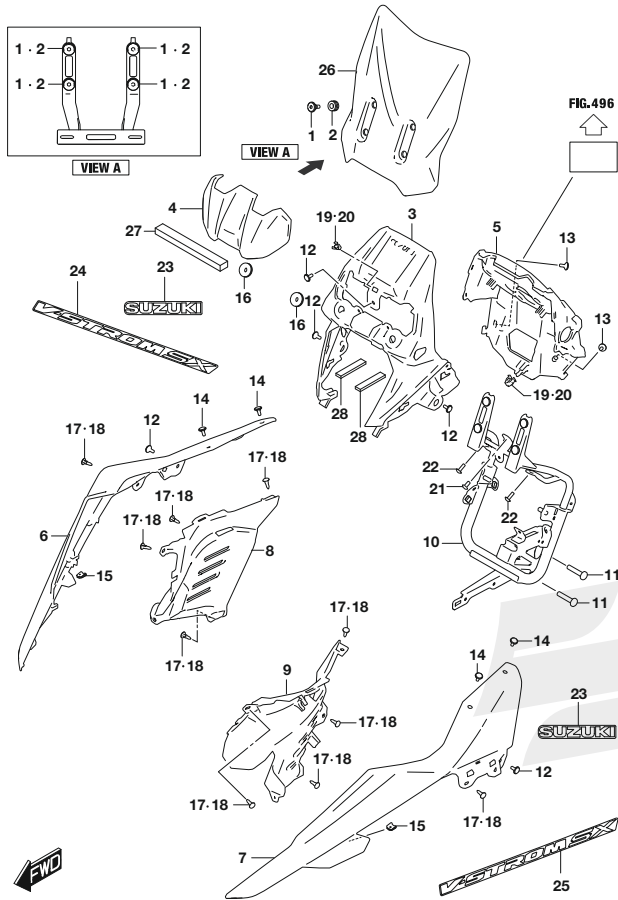
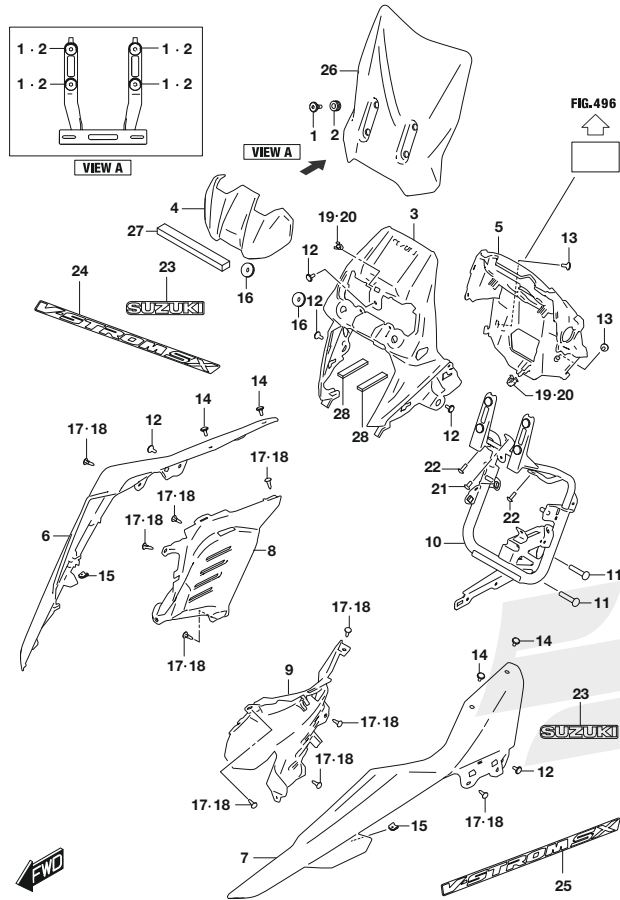


FIG. 481A (F-5) COWLING BODY

REF NO.	PART NO.	DESCRIPTION	QTY	REMARKS
1	09139-06242-000	SCREW	4	
2	09320-09016-000	CUSHION (9X18X9.5)	4	
3	94411-20L00-000	COWLING, BODY	1	
4	94412-20L00-291	COWLING, BODY UPPER (BLACK)	1	
5	94414-20L00-000	COVER, METER	1	
6-1	94421-20L10-YU1	COWLING, SIDE UPPER RH (YELLOW)	1	
6-2	94421-20L10-YVB	COWLING, SIDE UPPER RH (BLACK)	1	
6-3	94421-20L10-QVN	COWLING, SIDE UPPER RH (ORANGE)	1	
7-1	94431-20L10-YU1	COWLING, SIDE UPPER LH (YELLOW)	1	
7-2	94431-20L10-YVB	COWLING, SIDE UPPER LH (BLACK)	1	
7-3	94431-20L10-QVN	COWLING, SIDE UPPER LH (ORANGE)	1	
8	94471-20L00-000	COWLING, INNER RH	1	
9	94481-20L00-000	COWLING, INNER LH	1	
10	94510-20L00-000	BRACE, COWLING	1	
11	94621-34J10-000	BOLT, BRACE COWLING	2	
12	09139-05091-000	SCREW (5X13)	5	
13	09139-05092-000	SCREW (5X13)	2	
14	09139-05096-000	BOLT (5X13)	4	
15	09148-05060-000	NUT (M5)	2	
16	09320-08018-000	CUSHION (8X26X7)	2	
17	09409-06L07-000	CLIP	10	
18	09409-06346-000	CLIP	10	
19	09409-08L09-000	CLIP	2	
20	09409-08014-000	CLIP	2	
21	03541-0512A-000	SCREW	1	
22	03541-0516A-000	SCREW	2	
23-1	68181-20L00-GY8	EMBLEM, SUZUKI (YELLOW/BLACK)	2	FOR YU1
23-2	68181-20L00-AJM	EMBLEM, SUZUKI (BLACK/GRAY)	2	FOR YVB
23-3	68181-20L00-CDY	EMBLEM, SUZUKI (BLACK/ORANGE)	2	FOR QVN
24-1	68182-20L00-CDW	EMBLEM, SIDE COWL RH	1	FOR YU1
24-2	68182-20L00-CDU	EMBLEM, SIDE COWL RH	1	FOR YVB
24-3	68182-20L00-CDV	EMBLEM, SIDE COWL RH	1	FOR QVN

481A

FIG. 481A (F-6) COWLING BODY

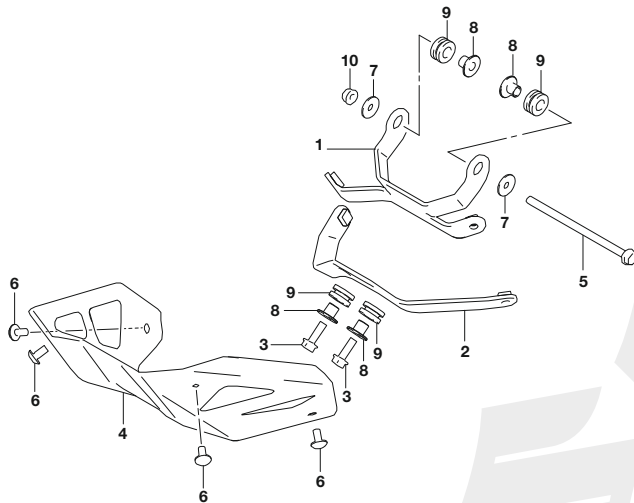


REF NO.	PART NO.	DESCRIPTION	QTY	REMARKS
25-1	68192-20L00-CDW	EMBLEM, SIDE COWL LH	1	FOR YU1
25-2	68192-20L00-CDU	EMBLEM, SIDE COWL LH	1	FOR YVB
25-3	68192-20L00-CDV	EMBLEM, SIDE COWL LH	1	FOR QVN
26	94611-20L00-000	WINDSCREEN	1	
27	94416-20L00-000	CUSHION	1	
28	94417-20L00-000	CUSHION	2	

483A

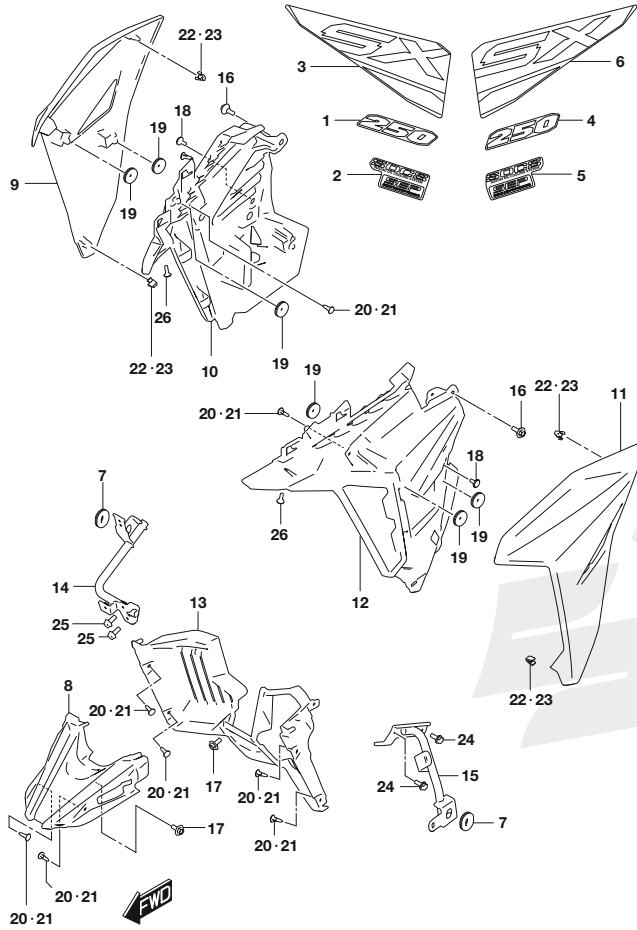
FIG. 483A (F-7) UNDER COWLING

REF NO.	PART NO.	DESCRIPTION	QTY	REMARKS
1	94570-20L00-000	BRACKET, UNDER COWL NO.1	1	
2	94580-20L00-000	BRACKET, UNDER COWL NO.2	1	
3	01550-0620A-000	BOLT	2	
4	94460-20L00-000	COWLING, UNDER	1	
5	09103-06553-000	BOLT	1	
6	09139-06205-000	SCREW	4	
7	09160-06152-000	WASHER (6.5X20X1.2)	2	
8	09180-06382-000	SPACER	4	
9	09320-10078-000	CUSHION (10X20X10)	4	
10	08319-3106B-000	NUT	1	



485A

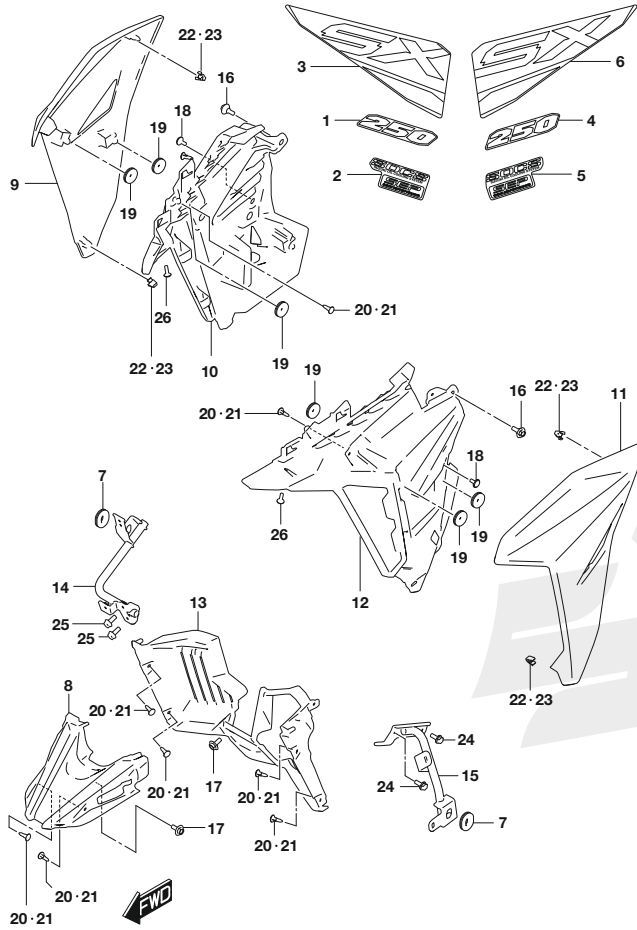
FIG. 485A (F-8) SIDE COWLING



REF NO.	PART NO.	DESCRIPTION	QTY	REMARKS
1-1	68183-20L00-CDZ	EMBLEM, SIDE COVER NO.1 RH (BLUE/YELLOW)	1	FOR YU1
1-2	68183-20L00-JSP	EMBLEM, SIDE COVER NO.1 RH (BLACK/RED)	1	FOR YVB
1-3	68183-20L00-CC7	EMBLEM, SIDE COVER NO.1 RH (ORANGE/BLACK)	1	FOR QVN
2-1	68184-20L00-CD1	EMBLEM, SIDE COVER NO.2 RH (SILVER/YELLOW)	1	FOR YU1
2-2	68184-20L00-AA3	EMBLEM, SIDE COVER NO.2 RH (GRAY/BLACK)	1	FOR YVB
2-3	68184-20L00-CD2	EMBLEM, SIDE COVER NO.2 RH (GRAY/ORANGE)	1	FOR QVN
3-1	68185-20L00-CDT	TAPE, SIDE COVER RH	1	FOR YU1
3-2	68185-20L00-CDU	TAPE, SIDE COVER RH	1	FOR YVB
3-3	68185-20L00-CDV	TAPE, SIDE COVER RH	1	FOR QVN
4-1	68193-20L00-CDZ	EMBLEM, SIDE COVER NO.1 LH (BLUE/YELLOW)	1	FOR YU1
4-2	68193-20L00-JSP	EMBLEM, SIDE COVER NO.1 LH (BLACK/RED)	1	FOR YVB
4-3	68193-20L00-CC7	EMBLEM, SIDE COVER NO.1 LH (ORANGE/BLACK)	1	FOR QVN
5-1	68194-20L00-CD1	EMBLEM, SIDE COVER NO.2 LH (SILVER/YELLOW)	1	FOR YU1
5-2	68194-20L00-AA3	EMBLEM, SIDE COVER NO.2 LH (GRAY/BLACK)	1	FOR YVB
5-3	68194-20L00-CD2	EMBLEM, SIDE COVER NO.2 LH (GRAY/ORANGE)	1	FOR QVN
6-1	68195-20L00-CDT	TAPE, SIDE COVER LH	1	FOR YU1
6-2	68195-20L00-CDU	TAPE, SIDE COVER LH	1	FOR YVB
6-3	68195-20L00-CDV	TAPE, SIDE COVER LH	1	FOR QVN
7	47315-41K00-000	CUSHION (8-14X26-32X7)	2	
8	94413-20L00-000	COWLING, BODY CTR	1	
9-1	94441-20L00-YU1	COVER, SIDE RH (YELLOW)	1	
9-2	94441-20L00-YVB	COVER, SIDE RH (BLACK)	1	
9-3	94441-20L00-QVN	COVER, SIDE RH (ORANGE)	1	
10	94442-20L00-000	COVER, SIDE INNER RH	1	

485A

FIG. 485A (F-9) SIDE COWLING

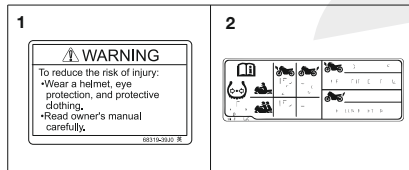
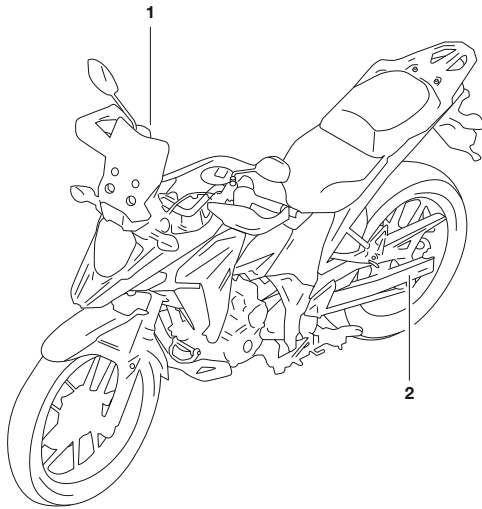


REF NO.	PART NO.	DESCRIPTION	QTY	REMARKS
11-1	94451-20L00-YU1	COVER, SIDE LH (YELLOW)	1	
11-2	94451-20L00-YVB	COVER, SIDE LH (BLACK)	1	
11-3	94451-20L00-QVN	COVER, SIDE LH (ORANGE)	1	
12	94452-20L00-000	COVER, SIDE INNER LH	1	
13	94491-20L00-000	COWLING, INNER CTR	1	
14	94530-20L00-000	BRACKET, SIDE COWL RH	1	
15	94540-20L00-000	BRACKET, SIDE COWL LH	1	
16	09111-06072-000	BOLT (6X17.8)	2	
17	09111-06102-000	BOLT (6X14.8)	2	
18	09139-05091-000	SCREW (5X13)	2	
19	09320-08018-000	CUSHION (8X26X7)	6	
20	09409-06L07-000	CLIP	8	
21	09409-06346-000	CLIP	8	
22	09409-08L09-000	CLIP	4	
23	09409-08014-000	CLIP	4	
24	01550-0616A-000	BOLT	2	
25	01550-0616B-000	BOLT	2	
26	03541-0516A-000	SCREW	2	

496A

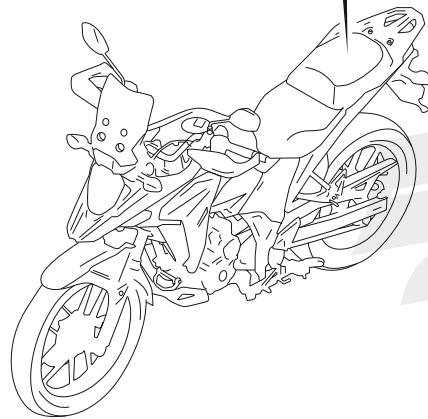
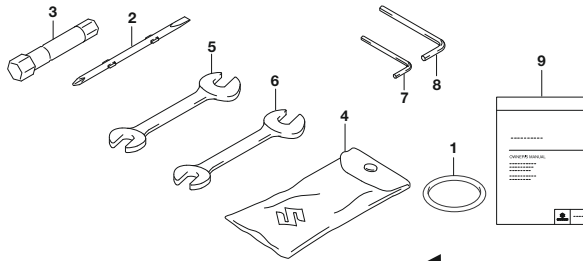
FIG. 496A (F-10) LABEL

REF NO.	PART NO.	DESCRIPTION	QTY	REMARKS
1	68319-39J00-000	LABEL, GENERAL WARNING	1	
2	68332-20L00-000	LABEL, TIRE INFORMATION	1	



497A

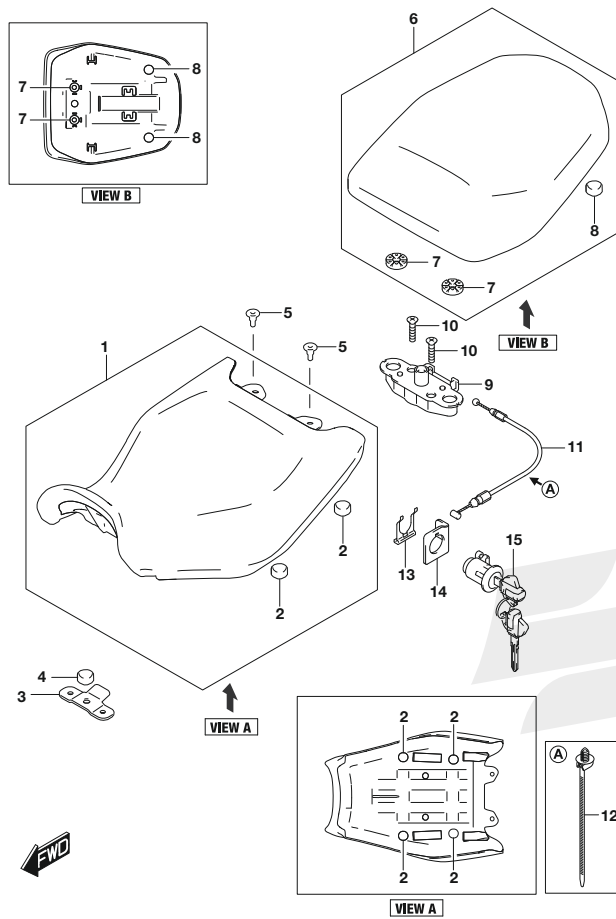
FIG. 497A (F-11) MANUAL/TOOLS



REF NO.	PART NO.	DESCRIPTION	QTY	REMARKS
1	47435-34J00-000	BAND, TOOL	1	
2	96412-33G50-000	DRIVER (+,-)	1	
3	96414-33G50-000	SPANNER, BOX (16)	1	
4	96511-20L00-000	BAG, TOOL	1	
5	96513-23J00-000	SPANNER, OPEN (10X12)	1	
6	96513-23J10-000	SPANNER, OPEN (14X17)	1	
7	96514-23J00-000	SPANNER, HEXAGON (4)	1	
8	96514-23J10-000	SPANNER, HEXAGON (5)	1	
9	99011-20L00-24A	MANUAL, OWNER'S	1	

505A

FIG. 505A (F-12) SEAT



REF NO.	PART NO.	DESCRIPTION	QTY	REMARKS
1	45100-20L00-QV4	SEAT ASSY (BLACK)	1	
2	45148-27K00-000	.CUSHION, SEAT MOUNT	4	
3	45316-41K00-000	BRACKET, SEAT FRONT	1	
4	45148-27K00-000	CUSHION, SEAT MOUNT	1	
5	09139-06241-000	BOLT	2	
6	45300-20L00-CDC	SEAT ASSY, PILLION (BLACK/GRAY)	1	
7	45213-28G20-000	.CUSHION, SEAT LOCK STRIKER	2	
8	45148-27K00-000	.CUSHION, SEAT MOUNT	2	
9	45220-28G21-000	BRACKET, SEAT SUPPORT	1	
10	02122-0630A-000	SCREW	2	
11	45280-20L00-000	CABLE, SEAT LOCK	1	
12	09407-17403-000	CLAMP (L:170)	1	
13	45289-11F00-000	PLATE, SEAT LOCK ASSY	1	
14	45288-20L00-000	GUIDE, SEAT LOCK CABLE	1	
15	95700-09870-000	LOCK ASSY, SEAT	1	

521A

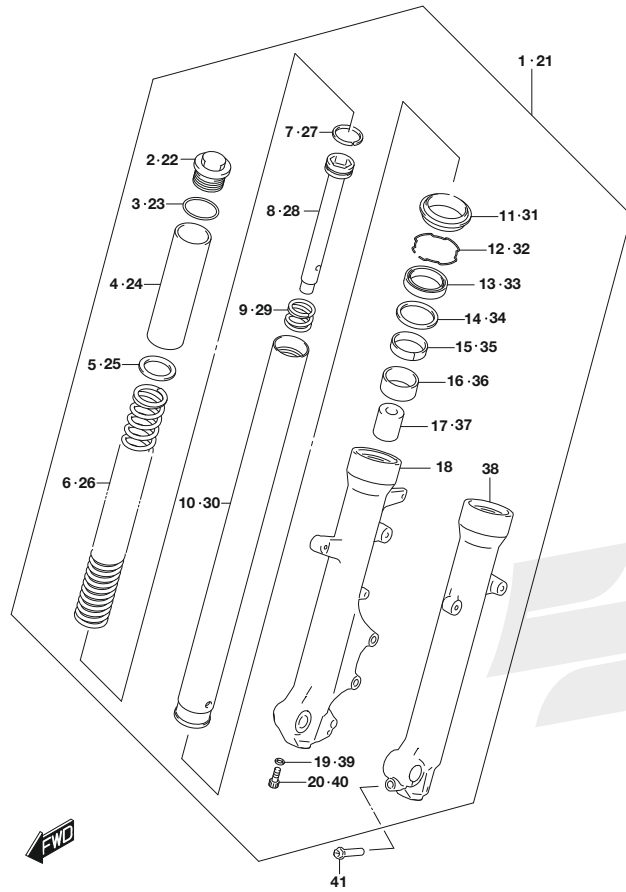
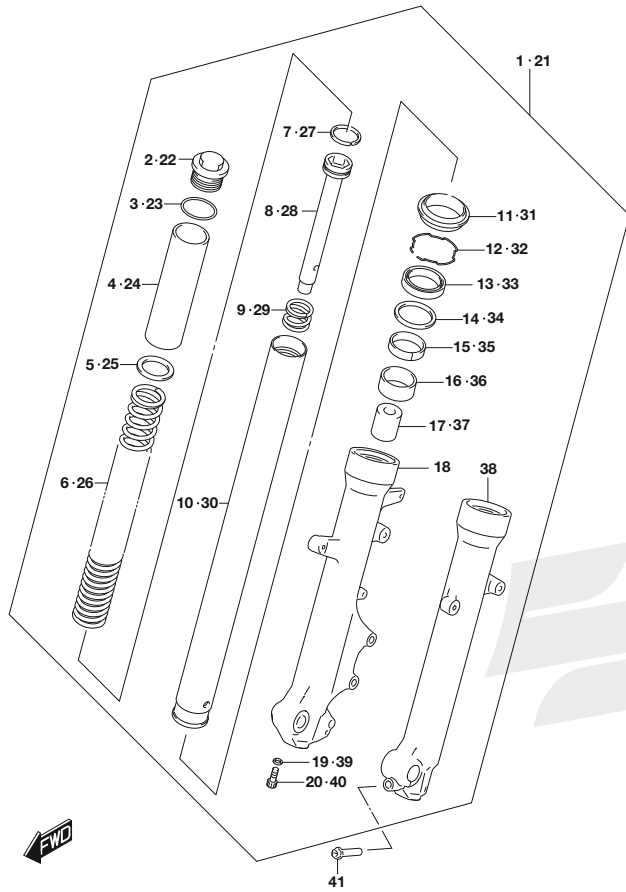


FIG. 521A (F-13) FRONT FORK DAMPER

REF NO.	PART NO.	DESCRIPTION	QTY	REMARKS
1	51103-20L00-291	DAMPER ASSY, FR FORK RH (BLACK)	1	
2	51113-27K00-000	.BOLT	1	
3	51181-34J00-000	.O RING	1	
4	51176-20L00-000	.SPACER, SPRING UPPER	1	
5	51172-34J00-000	.WASHER	1	
6	51171-20L00-000	.SPRING	1	
7	51196-34J00-000	.RING, PISTON	1	
8	51146-20L00-000	.CYLINDER	1	
9	51177-34J00-000	.SPRING, REBOUND	1	
10	51110-20L00-000	.TUBE, INNER	1	
11	51173-34J00-000	.SEAL, DUST	1	
12	51156-34J00-000	.RING, SNAP	1	
13	51153-34J00-000	.OIL SEAL	1	
14	51158-34J00-000	.WASHER	1	
15	51167-34J00-000	.METAL, SLIDE	1	
16	51121-34J00-000	.BUSH, SLIDE	1	
17	51195-34J00-000	.PIECE, OIL LOCK	1	
18	51131-20L00-291	.TUBE, OUTER RH (BLACK)	1	
19	51148-34J00-000	.GASKET LOWER	1	
20	51147-41K00-000	.BOLT	1	
21	51104-20L00-291	DAMPER ASSY, FR FORK LH (BLACK)	1	
22	51113-27K00-000	.BOLT	1	
23	51181-34J00-000	.O RING	1	
24	51176-20L00-000	.SPACER, SPRING UPPER	1	
25	51172-34J00-000	.WASHER	1	
26	51171-20L00-000	.SPRING	1	
27	51196-34J00-000	.RING, PISTON	1	
28	51146-20L00-000	.CYLINDER	1	
29	51177-34J00-000	.SPRING, REBOUND	1	
30	51110-20L00-000	.TUBE, INNER	1	
31	51173-34J00-000	.SEAL, DUST	1	
32	51156-34J00-000	.RING, SNAP	1	
33	51153-34J00-000	.OIL SEAL	1	
34	51158-34J00-000	.WASHER	1	

521A

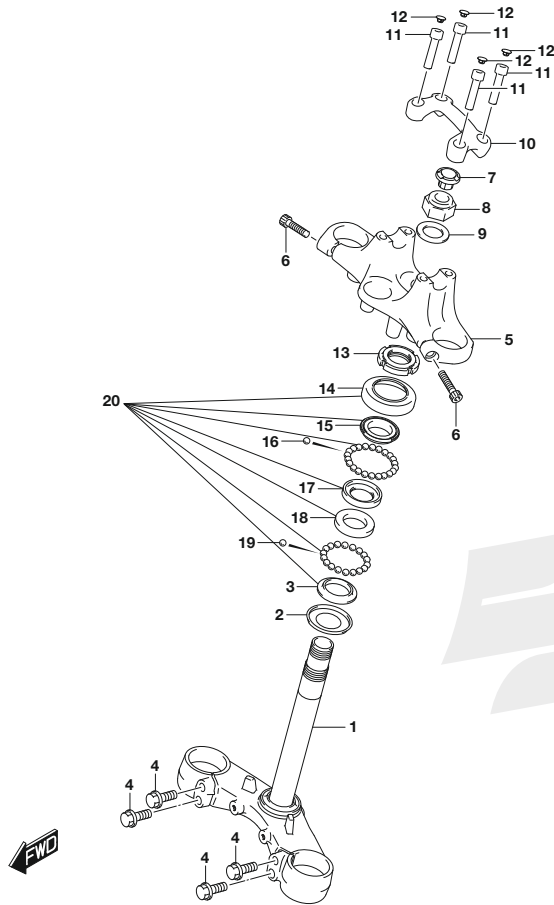
FIG. 521A (F-14) FRONT FORK DAMPER



REF NO.	PART NO.	DESCRIPTION	QTY	REMARKS
35	51167-34J00-000	.METAL, SLIDE	1	
36	51121-34J00-000	.BUSH, SLIDE	1	
37	51195-34J00-000	.PIECE, OIL LOCK	1	
38	51141-20L00-291	.TUBE, OUTER LH (BLACK)	1	
39	51148-34J00-000	.GASKET LOWER	1	
40	51147-41K00-000	.BOLT	1	
41	51147-34J00-000	BOLT	1	

524A

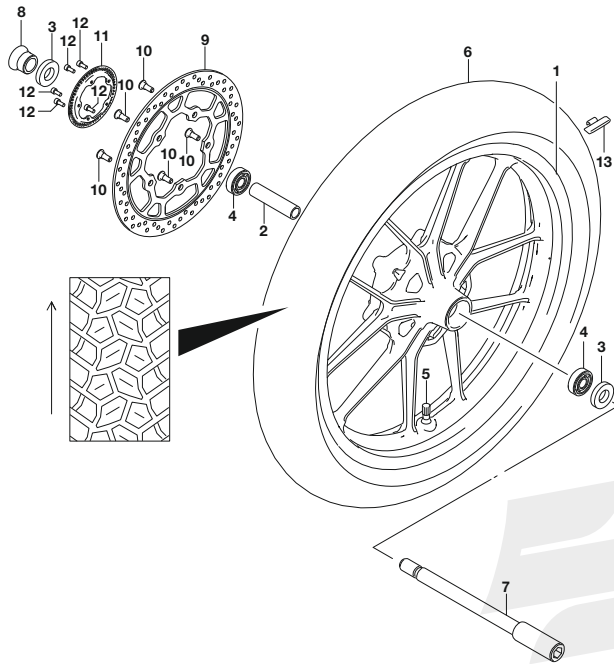
FIG. 524A (G-2) STEERING STEM



REF NO.	PART NO.	DESCRIPTION	QTY	REMARKS
1	51410-20L00-000	BRACKET, FR FORK LOWER	1	
2	51644-41K00-000	SEAL, STEERING LOWER	1	
3	51622-41K00-000	RACE, STEERING OUTER LWR	1	
4	51434-41K00-000	BOLT, FR FORK LOWER BRACKET	4	
5	51311-20L00-291	BRACKET, FR FORK UPPER (BLACK)	1	
6	51328-34J00-000	BOLT	2	
7	51344-41K00-000	CAP, STEERING STEM	1	
8	51353-41K00-000	NUT, STEERING STEM TOP	1	
9	51356-34J00-000	WASHER	1	
10	51331-41K00-291	HOLDER, HANDLE UPPER (BLACK)	1	
11	51321-41K00-000	BOLT, HANDLE HOLDER UPPER	4	
12	56246-41K00-000	CAP, HANDLEBAR BOLT	4	
13	51631-28000-000	NUT, STEERING STEM (25X44X10)	1	
14	51643-25001-000	DUST SEAL, STEERING UPR	1	
15	51621-28000-000	RACE, STEERING OUTER UPR	1	
16	06111-06004-000	BALL	22	
17	51611-20002-000	RACE, STEERING INNER UPR	1	
18	51611-33002-000	RACE, STEERING INNER LWR	1	
19	06111-08004-000	BALL	18	
20	51600-41800-000	RACER STEERING KIT	1	

530A

FIG. 530A (G-3) FRONT WHEEL

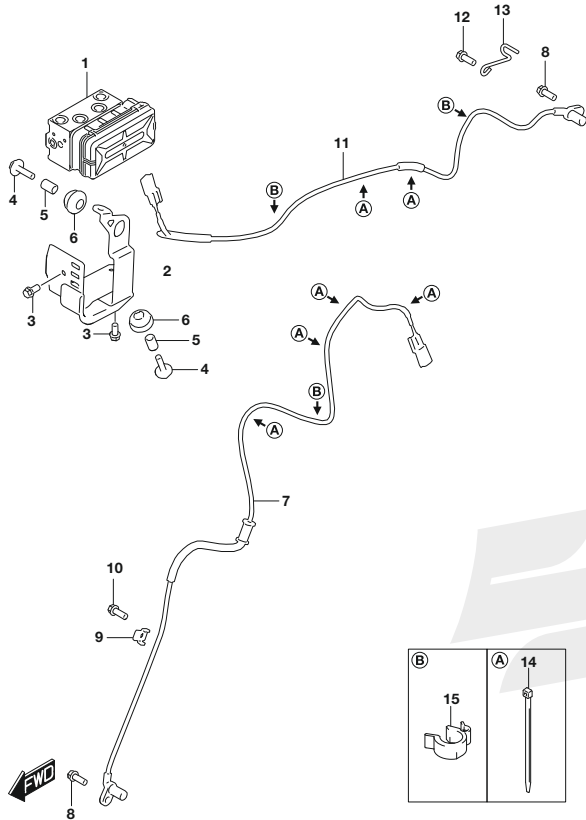


REF NO.	PART NO.	DESCRIPTION	QTY	REMARKS
1	54111-20L01-QC3	WHEEL, FRONT (19M/CXMT2.50) (BLACK)	1	
2	54731-41K00-000	SPACER, FRONT HUB BEARING	1	
3	54841-48H10-000	SEAL, WHEEL DUST	2	
4	08123-6302B-000	BEARING	2	
5	43130-24A70-000	VALVE ASSY, WHEEL RIM (TR412)	1	
6	55110-20L01-000	TIRE, FRONT (100/90-19 M/C 57S)	1	
7	54711-41K00-000	AXLE, FRONT	1	
8	54751-41K00-000	SPACER, FRONT AXLE RH	1	
9	59211-20L00-000	DISC, FRONT BRAKE	1	
10	59218-34J20-000	BOLT, FRONT BRAKE DISC	5	
11	54162-20L00-000	RING, SPEED SENSOR FR	1	
12	07130-0512A-000	BOLT	5	
13-1	55411-41K00-000	BALANCER, WHEEL NO.1 (10G)	AR	
13-2	55412-41K00-000	BALANCER, WHEEL NO.2 (20G)	AR	
13-3	55413-41K00-000	BALANCER, WHEEL NO.3 (30G)	AR	



533A

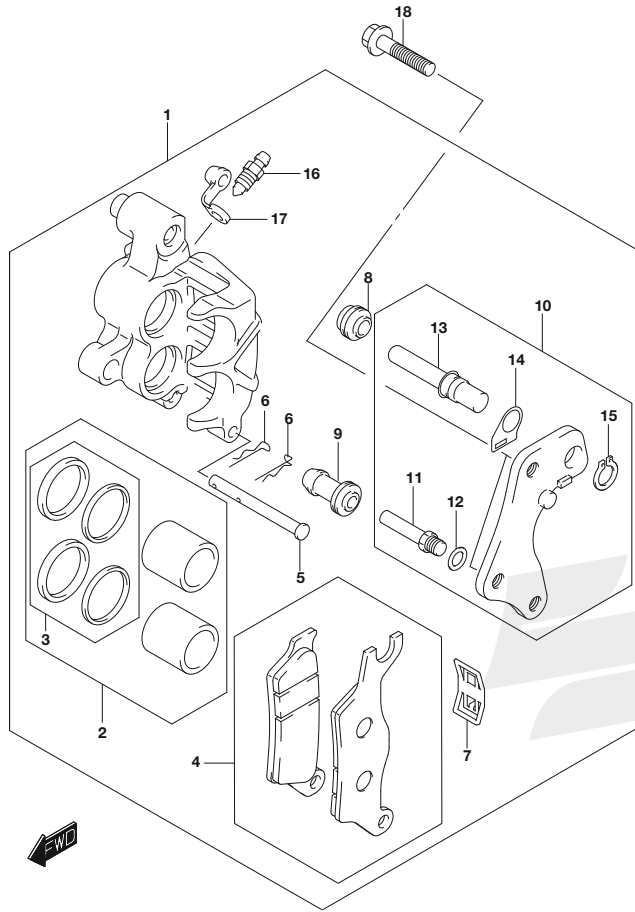
FIG. 533A (G-4) HYDRAULIC UNIT



REF NO.	PART NO.	DESCRIPTION	QTY	REMARKS
1	55610-20L00-000	UNIT ASSY, HYDRAULIC ABS	1	
2	55660-41K00-000	HOLDER, HYDR UNIT ABS	1	
3	01547-0612B-000	BOLT	2	
4	55661-34J00-000	BOLT	2	
5	55662-10G00-000	SPACER, HYDR UNIT MTG (#05)	2	
6	55663-34J00-000	RUBBER, HYDR UNIT MTG	2	
7	55710-20L00-000	SENSOR, FR WHEEL SPEED	1	
8	01547-0616B-000	BOLT	2	
9	34938-14F00-000	GUIDE, SENSOR LEAD	1	
10	01547-0612B-000	BOLT	1	
11	65710-20L00-000	SENSOR, RR WHEEL SPEED	1	
12	01547-0616B-000	BOLT	1	
13	65741-41K00-000	GUIDE, RR WHL SPEED SENSOR LEAD	1	
14	09407-14407-000	CLAMP (L:145)	6	
15	55734-27K00-000	CLAMP, SENSOR	3	

535A

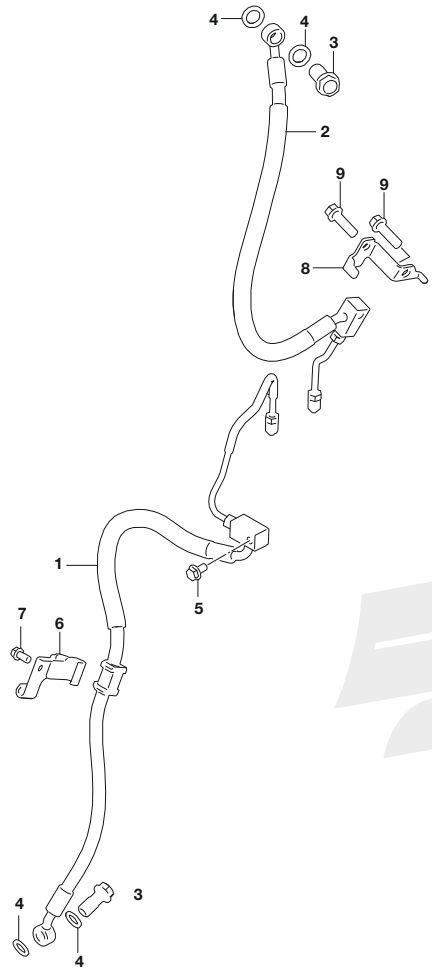
FIG. 535A (G-5) FRONT CALIPER



REF NO.	PART NO.	DESCRIPTION	QTY	REMARKS
1	59100-34J50-000	CALIPER ASSY, FRONT RH	1	
2	59100-34870-000	.PISTON SET	1	
3	59100-34860-000	..SEAL SET, PISTON	1	
4	59140-34810-000	..PAD SET	1	
5	59141-34J10-000	..PIN	1	
6	59746-34J00-000	..CLIP	2	
7	59315-34J00-000	..SPRING	1	
8	59108-34J00-000	..DUST COVER	1	
9	59109-34J00-000	..INSULATOR	1	
10	59351-34J00-000	..BRACKET	1	
11	59187-34J00-000	..PIN	1	
12	59188-34J00-000	..SPACER	1	
13	59382-34J00-000	..PIN	1	
14	59145-34J00-000	..STOPPER	1	
15	59665-34J00-000	..CIRCLIP	1	
16	59121-30H00-000	..SCREW, BLEEDER	1	
17	59122-30H00-000	..CAP, BLEEDER	1	
18	01550-0835A-000	BOLT	2	

536A

FIG. 536A (G-6) FRONT BRAKE HOSE

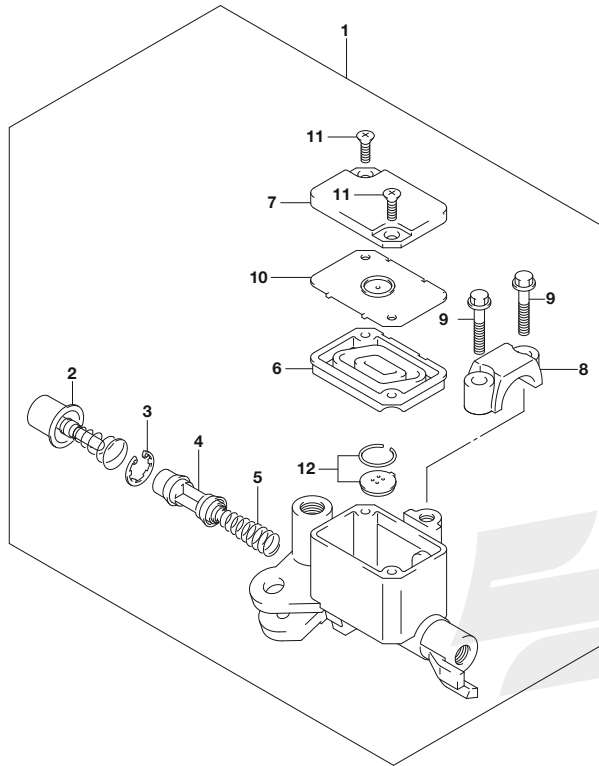


REF NO.	PART NO.	DESCRIPTION	QTY	REMARKS
1	59400-20L00-000	HOSE ASSY, UNIT TO FR BK CLPR	1	
2	59200-20L00-000	HOSE ASSY, FR BK MASTER TO UNIT	1	
3	59492-30H40-000	BOLT, BRAKE FLUID (M10X1.25)	2	
4	59502-30H00-000	WASHER, BRAKE FLUID	4	
5	01547-0612B-000	BOLT	1	
6	59260-20L00-000	CLAMP, FR BRAKE HOSE	1	
7	01547-0612B-000	BOLT	1	
8	59541-41K10-000	CLAMP, FR BRAKE HOSE	1	
9	01547-0620B-000	BOLT	2	



537A

FIG. 537A (G-7) FRONT MASTER CYLINDER

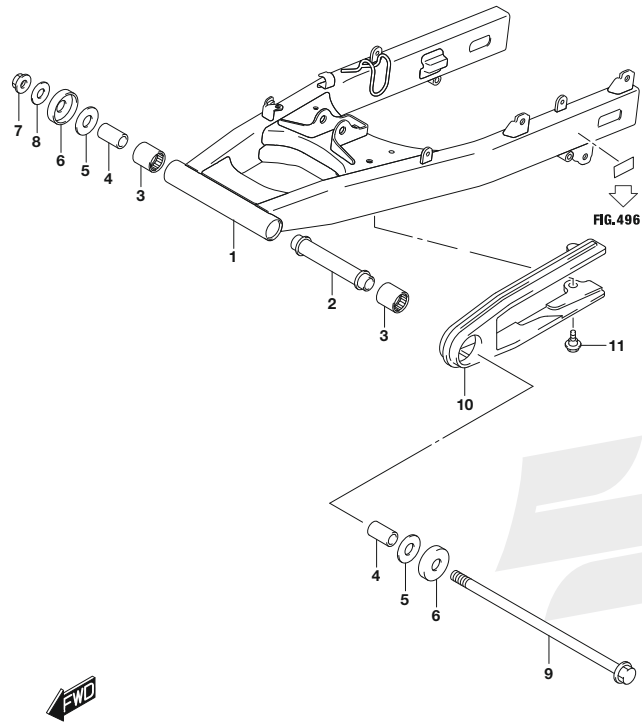


REF NO.	PART NO.	DESCRIPTION	QTY	REMARKS
1	59600-30H50-000	CYLINDER ASSY, FRONT MASTER	1	
2	59870-30H00-000	.PUSH ROD ASSY	1	
3	59665-30H00-000	.CIRCLIP	1	
4	59610-30H00-000	.PISTON ASSY	1	
5	57318-30H00-000	.SPRING	1	
6	59667-12K00-000	.DIAPHRAGM	1	
7	59687-23K00-000	.COVER	1	
8	59671-30H00-000	.CLAMP	1	
9	59688-30H00-000	.SCREW	2	
10	59668-30H00-000	.PLATE, DIAPHRAGM	1	
11	59691-30H00-000	.FLAT SCREW	2	
12	59669-30H00-000	.CAP	1	



541A

FIG. 541A (G-8) REAR SWINGINGARM

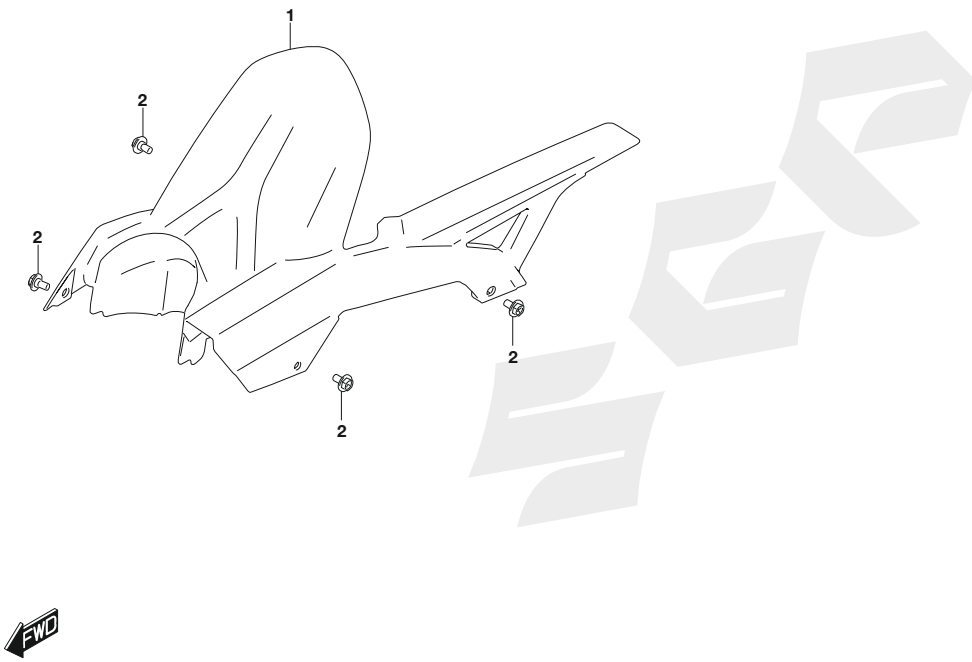


REF NO.	PART NO.	DESCRIPTION	QTY	REMARKS
1	61100-20L10-000	SWINGINGARM, REAR	1	
2	61280-41K00-000	SPACER, RR SWGARM PIVOT	1	
3	09263-22077-000	BEARING (22X29X30)	2	
4	61251-41K00-000	SPACER, RR SWGARM PIVOT	2	
5	09160-14079-000	BEARING	2	
6	09160-14079-000	WASHER (14X34X1)	2	
7	61262-41K00-000	COVER, RR SWGARM PIVOT DUST	2	
8	08319-2114A-000	NUT	1	
9	09160-14078-000	WASHER (14.5X29X2.3)	1	
10	61211-30H00-000	SHAFT, RR SWINGINGARM PIVOT	1	
11	61273-41K00-000	BUFFER, CHAIN TOUCH DEFENSE	1	
	09111-06072-000	BOLT (6X17.8)	1	

542A

FIG. 542A (G-9) CHAIN CASE

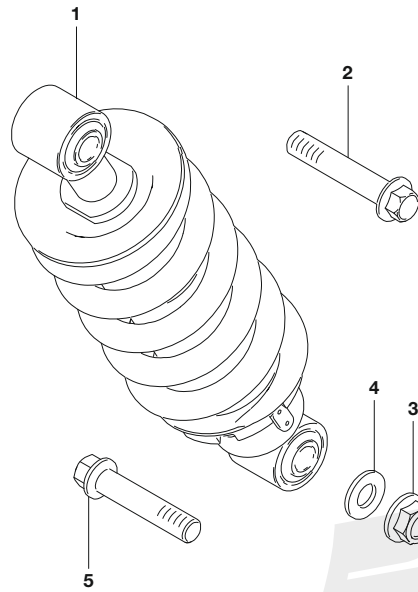
REF NO.	PART NO.	DESCRIPTION	QTY	REMARKS
1	61311-20L00-000	CASE, CHAIN	1	
2	09111-06107-000	BOLT (6X12)	4	



545A

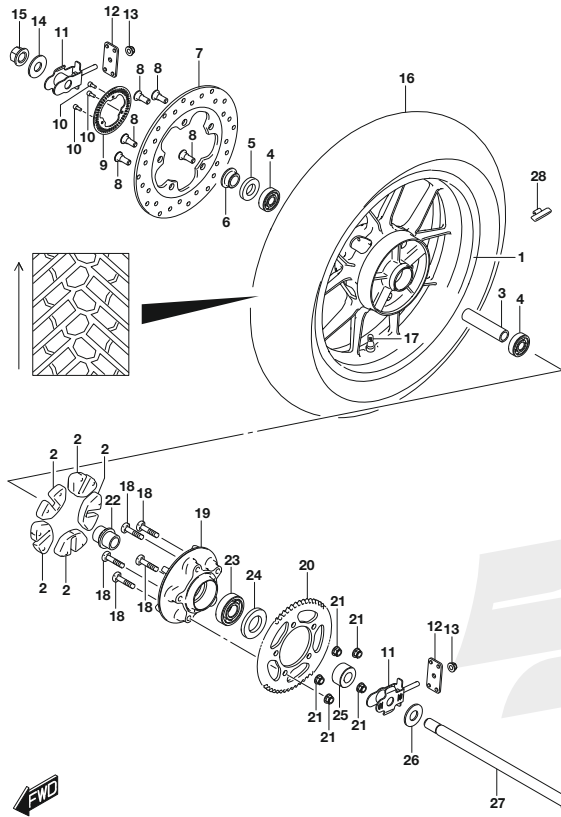
FIG. 545A (G-10) REAR SHOCK ABSORBER

REF NO.	PART NO.	DESCRIPTION	QTY	REMARKS
1	62100-20L00-28W	ABSORBER ASSY, REAR SHOCK (WHITE)	1	
2	62658-47H00-000	BOLT, RR CUSHION LEVER	1	
3	09159-12082-000	NUT	1	
4	09160-12131-000	WASHER (12.3X24X2.3)	1	
5	62668-30B00-000	BOLT, RR CUSHION LEVER FR (12X60)	1	



550A

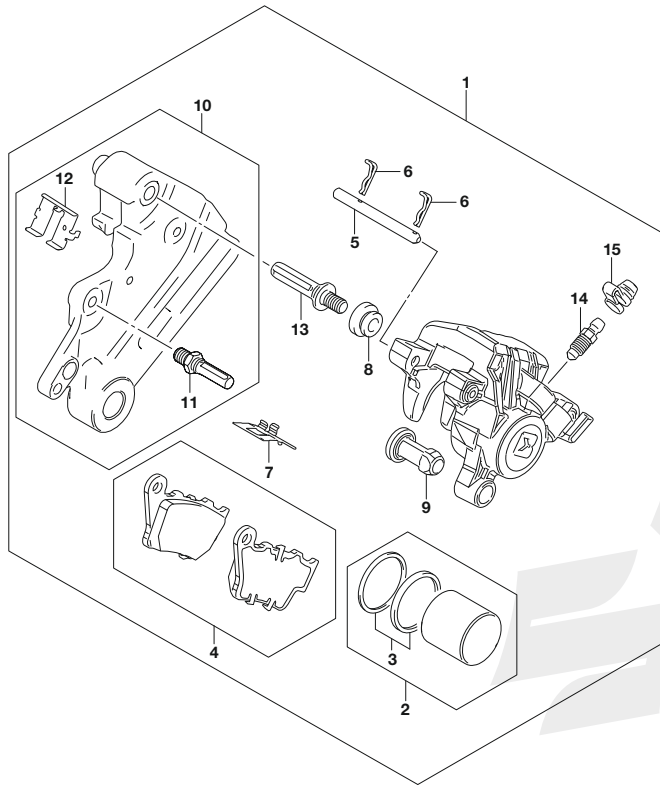
FIG. 550A (G-11) REAR WHEEL



REF NO.	PART NO.	DESCRIPTION	QTY	REMARKS
1	64111-20L01-QC3	WHEEL, REAR (17M/CXMT4.00) (BLACK)	1	
2	64651-20L00-000	ABSORBER, REAR HUB SHOCK	5	
3	64731-41K00-000	SPACER, REAR WHEEL HUB BEARING	1	
4	08123-6303B-000	BEARING	2	
5	64841-41K00-000	SEAL, REAR HUB BEARING	1	
6	64741-41K00-000	SPACER, REAR AXLE RH	1	
7	69211-20L00-000	DISC, REAR BRAKE	1	
8	59218-34J20-000	BOLT, FRONT BRAKE DISC	5	
9	54162-41K00-000	RING, SPEED SENSOR FR (50T)	1	
10	07130-0512A-000	BOLT	3	
11	61410-41K00-000	ADJUSTER, CHAIN	2	
12	61421-41K00-000	PLATE, CHAIN ADJUSTER GUIDE	2	
13	08319-3108A-000	NUT	2	
14	61445-41K00-000	WASHER, REAR AXLE RH	1	
15	64721-41K00-000	NUT, REAR AXLE	1	
16	65110-20L01-000	TIRE, REAR (140/70-17 M/C 66S)	1	
17	43130-24A70-000	VALVE ASSY, WHEEL RIM (TR412)	1	
18	64541-41K00-000	BOLT, REAR SPROCKET	5	
19	64611-01D10-000	DRUM, REAR SPROCKET	1	
20	64511-41K00-000	SPROCKET, REAR (NT:40)	1	
21	08319-3110A-000	NUT	5	
22	64733-01D00-000	RETAINER, RR SPROCKET DRUM	1	
23	08133-6305B-000	BEARING	1	
24	64831-41K00-000	OIL SEAL, REAR SPROCKET DRUM	1	
25	64751-41K00-000	SPACER, REAR AXLE LH	1	
26	61455-41K00-000	WASHER, REAR AXLE LH	1	
27	64711-41K00-000	AXLE, REAR	1	
28-1	55411-41K00-000	BALANCER, WHEEL NO.1 (10G)	AR	
28-2	55412-41K00-000	BALANCER, WHEEL NO.2 (20G)	AR	
28-3	55413-41K00-000	BALANCER, WHEEL NO.3 (30G)	AR	

555A

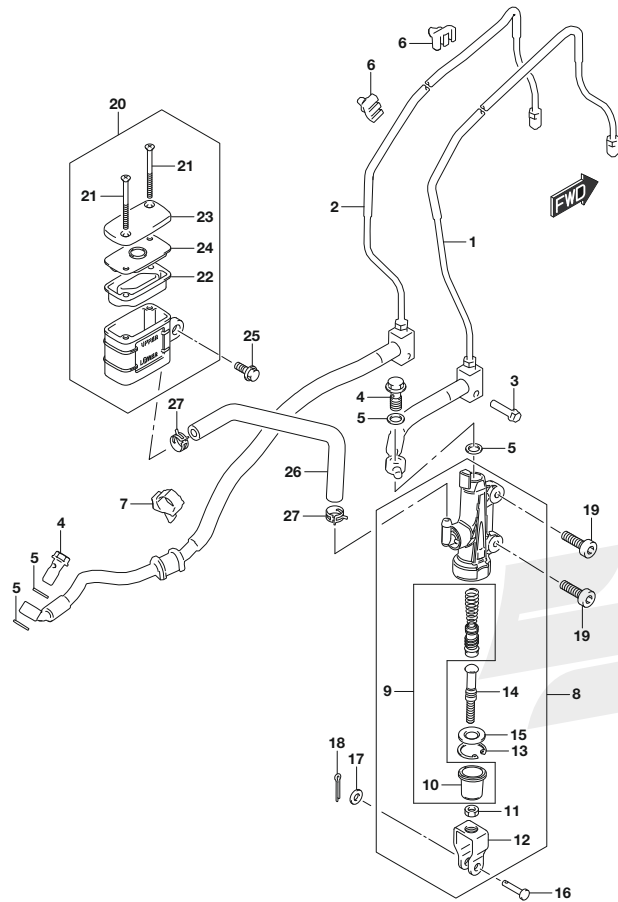
FIG. 555A (G-12) REAR CALIPER



REF NO.	PART NO.	DESCRIPTION	QTY	REMARKS
1	69100-20L00-000	CALIPER ASSY, REAR	1	
2	69100-27870-000	.PISTON SET	1	
3	69100-27860-000	..SEAL SET	1	
4	69100-27890-000	.PAD SET	1	
5	69345-27K00-000	.PIN, PAD	1	
6	69746-27K00-000	.CLIP	2	
7	69115-27K00-000	.SPRING, PAD	1	
8	59108-34J00-000	.DUST COVER	1	
9	59109-34J00-000	.INSULATOR	1	
10	69720-20L00-000	.BRACKET	1	
11	59187-34J00-000	..PIN	1	
12	69116-27K00-000	..RETAINER	1	
13	69187-27K00-000	.PIN	1	
14	59121-30H00-000	.SCREW, BLEEDER	1	
15	59122-30H00-000	.CAP, BLEEDER	1	

558A

FIG. 558A (G-13) REAR MASTER CYLINDER



REF NO.	PART NO.	DESCRIPTION	QTY	REMARKS
1	69200-20L00-000	HOSE ASSY, RR BK MASTER TO UNIT	1	
2	69400-20L00-000	HOSE ASSY, UNIT TO RR BK CLPR	1	
3	01547-0630A-000	BOLT	1	
4	59492-30H40-000	BOLT, BRAKE FLUID (M10X1.25)	2	
5	59502-30H00-000	WASHER, BRAKE FLUID	4	
6	09403-07410-000	CLAMP	2	
7	09403-17311-000	CLAMP	1	
8	69600-41K00-000	CYLINDER ASSY, REAR MASTER	1	
9	69600-41810-000	.PISTON/CUP SET	1	
10	69666-27K00-000	.BOOT	1	
11	69692-41K00-000	.YOKE	1	
12	69693-27K00-000	.NUT	1	
13	69665-27K00-000	.CIRCLIP	1	
14	69671-41K00-000	.ROD, PUSH	1	
15	69872-27K00-000	.GUIDE, ROD	1	
16	09200-06037-000	PIN (6X17.7)	1	
17	08322-0106A-000	WASHER	1	
18	04111-2015A-000	PIN	1	
19	07130-0625A-000	BOLT	2	
20	69740-27K00-000	TANK ASSY, RR RESERVOIR	1	
21	69689-27K00-000	.SCREW	2	
22	69667-27K00-000	.DIAPHRAGM	1	
23	69669-27K00-000	.CAP	1	
24	69668-27K00-000	.PLATE, DIAPHRAGM	1	
25	01550-0612A-000	BOLT	1	
26	69731-41K00-000	HOSE, RR RESERVOIR TANK	1	
27	59735-27K00-000	CLIP	2	

PARTS NUMBER INDEX

5

PART NO.	FIG.NO.	REF NO.	PART NO.	FIG.NO.	REF NO.	PART NO.	FIG.NO.	REF NO.
00000			01550-0820B-000	103A	16	08319-2105A-000	339A	12
			01550-0825A-000	412A	2	08319-2106A-000	467A	12
			01550-0835A-000	535A	18	08319-2110B-000	407A	3
			01550-0845B-000	163A	10	08319-2114A-000	541A	10
			01550-0845B-000	163A	11	08319-3106B-000	483A	7
01500-0610A-000	206A	25	01580-0616A-000	155A	16	08319-3108A-000	163A	16
01500-0616B-000	201A	23	02112-0510B-000	466A	8	08319-3108A-000	550A	13
01500-0620B-000	212A	39	02112-0612A-000	206A	27	08319-3110A-000	550A	21
01547-0612A-000	103A	6	02112-0612A-000	212A	8	08319-3110B-000	108A	17
01547-0612A-000	108A	8	02122-0630A-000	505A	10	08319-3110B-000	401A	8
01547-0612A-000	108A	10	02142-0608A-000	423A	20	08322-0106A-000	558A	17
01547-0612A-000	108A	11	02162-0616B-000	333A	5	08322-0110A-000	472A	9
01547-0612A-000	120A	20	03241-0412B-000	163A	20	08331-31109-000	170A	5
01547-0612A-000	172A	7	03541-0416A-000	330A	4	08331-3112A-000	212A	36
01547-0612A-000	316A	4	03541-0512A-000	339A	5	08331-31149-000	212A	23
01547-0612A-000	427A	6	03541-0512A-000	339A	9	08331-31409-000	124A	6
01547-0612B-000	533A	3	03541-0512A-000	406A	7	08331-41309-000	201A	17
01547-0612B-000	533A	10	03541-0512A-000	423A	21	08361-3506A-000	301A	8
01547-0612B-000	536A	5	03541-0512A-000	481A	21	08361-3506A-000	311A	2
01547-0612B-000	536A	7	03541-0516A-000	481A	22	09103-06545-000	103A	8
01547-0616A-000	112A	24	03541-0516A-000	485A	26	09103-06553-000	483A	5
01547-0616B-000	533A	8	03541-0520A-000	155A	11	09103-08558-000	163A	12
01547-0616B-000	533A	12	03541-0616B-000	333A	3	09103-10077-000	108A	15
01547-0620A-000	140A	9	04111-2015A-000	558A	18	09103-10470-000	103A	9
01547-0620A-000	170A	17	04111-2515A-000	415A	6	09103-10709-000	108A	16
01547-0620A-000	316A	3	04111-2515A-000	415A	20	09106-05017-000	420A	3
01547-0620B-000	467A	13	04111-3025A-000	407A	10	09106-07027-000	102A	3
01547-0620B-000	536A	9	04211-09149-000	108A	2	09106-08210-000	415A	3
01547-0625A-000	112A	5	04211-09149-000	112A	4	09111-06063-000	406A	4
01547-0625A-000	112A	15	04211-09149-000	112A	14	09111-06072-000	485A	16
01547-0625A-000	112A	26	04211-09149-000	170A	7	09111-06072-000	541A	11
01547-0625A-000	140A	14	04211-13189-000	103A	12	09111-06102-000	474A	8
01547-0625A-000	170A	9	04211-13189-000	107A	3	09111-06102-000	485A	17
01547-0625A-000	301A	7	04221-04089-000	212A	14	09111-06107-000	542A	2
01547-0625B-000	127A	9	06111-06004-000	524A	16	09116-06111-000	178A	4
01547-0630A-000	558A	3	06111-07004-000	415A	22	09119-06140-000	333A	8
01547-0630B-000	313A	7	06111-08004-000	524A	19	09139-05091-000	481A	12
01547-0635A-000	112A	6	07120-0512A-000	415A	12	09139-05091-000	485A	18
01547-0635A-000	112A	16	07120-0520A-000	212A	30	09139-05092-000	446A	4
01547-0645A-000	108A	3	07130-0512A-000	530A	12	09139-05092-000	481A	13
01547-0645A-000	112A	7	07130-0512A-000	550A	10	09139-05098-000	423A	18
01547-0645A-000	112A	17	07130-0512B-000	303A	8	09139-05096-000	481A	14
01547-0645A-000	170A	10	07130-0530B-000	303A	9	09139-06194-000	163A	5
01547-0655A-000	108A	4	07130-0616A-000	122A	6	09139-06205-000	483A	6
01547-0665A-000	108A	5	07130-0616A-000	212A	15	09139-06219-000	406A	5
01547-0680A-000	108A	6	07130-0616A-000	415A	16	09139-06219-000	445A	16
01550-0610A-000	303A	7	07130-0625A-000	558A	19	09139-06230-000	446A	5
01550-0610B-000	350A	14	07130-0650A-000	103A	7	09139-06230-000	472A	6
01550-0612A-000	103A	14	07130-0655B-000	462A	4	09139-06230-000	474A	6
01550-0612A-000	178A	12	07130-0825A-000	163A	3	09139-06241-000	505A	5
01550-0612A-000	420A	13	08110-62030-000	206A	18	09139-06242-000	481A	1
01550-0612A-000	466A	7	08110-69030-000	201A	16	09140-06025-000	212A	38
01550-0612A-000	474A	12	08110-6905A-000	212A	6	09140-14022-000	124A	11
01550-0612A-000	558A	25	08112-63040-000	206A	16	09140-16038-000	201A	6
01550-0612B-000	407A	7	08123-6302B-000	530A	4	09140-18004-000	120A	11
01550-0616A-000	339A	4	08123-6303B-000	550A	4	09140-20022-000	206A	32
01550-0616A-000	485A	24	08133-6305B-000	550A	23	09148-05060-000	474A	10
01550-0616B-000	485A	25	08211-06121-000	212A	11	09148-05060-000	481A	15
01550-0620A-000	350A	17	08211-14242-000	124A	10	09148-05083-000	163A	21
01550-0620A-000	460A	8	08211-16283-000	201A	5	09148-05104-000	423A	19
01550-0620A-000	483A	3	08211-20363-000	201A	2	09159-12082-000	545A	3
01550-0635A-000	420A	11	08310-0006A-000	212A	40	09160-04026-000	330A	3
01550-0812B-000	112A	8	08313-2006B-000	472A	8	09160-05050-000	339A	8
01550-0812B-000	401A	6	08316-1006A-000	427A	14	09160-05050-000	339A	11
01550-0816A-000	410A	3	08316-1006B-000	313A	6	09160-06060-000	313A	4

PART NO.	FIG.NO.	REF NO.	PART NO.	FIG.NO.	REF NO.	PART NO.	FIG.NO.	REF NO.
09160-06060-000	460A	5	09280-09013-000	170A	6	09409-08014-000	446A	7
09160-06151-000	333A	6	09280-13010-000	170A	13	09409-08014-000	481A	20
09160-06152-000	483A	7	09280-17003-000	112A	11	09409-08014-000	485A	23
09160-06156-000	163A	6	09280-22008-000	112A	19	09409-08L09-000	481A	19
09160-08174-000	163A	15	09280-24008-000	206A	28	09409-08L09-000	485A	22
09160-08176-000	126A	4	09280-26005-000	101A	10	09420-04008-000	303A	10
09160-09015-000	460A	6	09280-26005-000	212A	29	09421-05011-000	120A	13
09160-10164-000	103A	10	09280-40021-000	140A	13	09421-05011-000	124A	9
09160-12011-000	212A	35	09280-54001-000	101A	11	09440-04010-000	212A	32
09160-12131-000	545A	4	09280-54001-000	170A	15	09440-05003-000	415A	21
09160-14078-000	541A	8	09280-63003-000	322A	3	09448-20012-000	415A	7
09160-14079-000	541A	5	09282-12013-000	120A	6	09462-00007-000	310A	3
09160-15002-000	407A	9	09283-14011-000	212A	17	09471-12226-000	334A	22
09160-17063-000	206A	21	09283-34016-000	206A	23	09471-12226-000	334A	28
09160-18044-000	120A	12	09285-11001-000	201A	21	09481-10501-000	350A	4
09160-22088-000	206A	20	09289-05019-000	126A	14	09481-15501-000	350A	5
09167-25019-000	206A	31	09320-08018-000	481A	16	09481-20501-000	350A	6
09168-06004-000	108A	12	09320-08018-000	485A	19	09482-00646-000	103A	13
09168-06018-000	103A	15	09320-08504-000	163A	8			
09168-08015-000	112A	9	09320-09016-000	445A	13			
09168-12L02-000	108A	14	09320-09016-000	446A	6			
09168-14002-000	112A	21	09320-09016-000	460A	7			
09168-16002-000	178A	9	09320-09016-000	481A	2			
09169-06099-000	472A	7	09320-10015-000	178A	6			
09180-06256-000	163A	7	09320-10078-000	483A	9			
09180-06310-000	178A	5	09320-14027-000	163A	14	11100-41K00-000	103A	1
09180-06380-000	313A	5	09320-20011-000	445A	14	11141-41K00-000	101A	2
09180-06382-000	483A	8	09360-14016-000	178A	10	11141-41K00-000	103A	11
09180-10164-000	163A	13	09360-16002-000	178A	11	11171-41K00-000	102A	1
09181-10158-000	170A	4	09380-22018-000	206A	19	11173-41K00-000	101A	3
09181-14167-000	212A	22	09380-25016-000	206A	22	11173-41K00-000	102A	2
09181-28021-000	120A	3-2	09381-10004-000	103A	2	11181-41K00-000	103A	4
09181-28187-000	120A	3-1	09381-17005-000	120A	17	11182-41K00-000	103A	5
09181-28188-000	120A	3-3	09390-22002-000	126A	2	11191-2E7E0-000	102A	4
09181-28189-000	120A	3-4	09401-08004-000	427A	2	11210-41K00-0E0	107A	1-1
09181-28190-000	120A	3-5	09401-09406-000	427A	3	11210-41K00-0F0	107A	1-2

PART NO.	FIG.NO.	REF NO.	PART NO.	FIG.NO.	REF NO.	PART NO.	FIG.NO.	REF NO.
12612-41K00-000	122A	4	12892-41C00-240	126A	17-37	15424-09JB0-000	172A	3
12616-41K00-000	122A	3	12892-41C00-242	126A	17-38	15710-41K00-000	140A	6
12651-41K00-000	124A	1	12892-41C00-245	126A	17-39	15719-41K00-000	140A	10
12661-41K00-000	120A	2	12892-41C00-248	126A	17-40	15720-41810-000	140A	7
12662-41K00-000	124A	3	12892-41C00-250	126A	17-41	15810-41K00-000	172A	6
12662-41K10-000	124A	4	12892-41C00-252	126A	17-42	15830-41K00-000	140A	8
12663-41K00-000	124A	13	12892-41C00-255	126A	17-43	16331-41K11-000	170A	2
12666-41K00-000	124A	2	12892-41C00-258	126A	17-44	16400-41K00-000	170A	1
12668-34J00-000	124A	7	12892-41C00-260	126A	17-45	16413-41K00-000	170A	8
12669-41K00-000	124A	5	12892-41C00-262	126A	17-46	16421-41K00-000	170A	3
12700-41810-000	127A	10	12892-41C00-265	126A	17-47	16460-41K00-000	178A	7
12710-41K00-000	126A	1	12892-41C00-268	126A	17-48	16470-41K00-000	178A	8
12731-41K00-000	120A	7	12892-41C00-270	126A	17-49	16510-33G10-000	170A	12
12741-41K00-000	126A	3	12892-41C00-272	126A	17-50	16512-23J20-000	170A	14
12742-41K00-000	126A	5	12892-41C00-275	126A	17-51	16519-09J10-000	170A	16
12760-41K00-000	127A	1	12892-41C00-278	126A	17-52	16520-09440-000	170A	11
12771-41K00-000	127A	2	12892-41C00-280	126A	17-53	16600-41K00-000	178A	1
12800-35820-000	126A	18	12892-41C00-282	126A	17-54	16650-20L00-000	178A	13
12811-41K00-000	127A	3	12892-41C00-285	126A	17-55	16800-41K00-000	178A	3
12812-41K00-000	127A	4	12892-41C00-288	126A	17-56	17802-41K00-000	178A	2
12830-41K00-000	127A	5	12892-41C00-290	126A	17-57	18117-73M00-000	427A	15
12835-41K00-000	127A	6	12892-41C00-292	126A	17-58	18213-41K01-000	163A	17
12836-41K00-000	127A	7	12892-41C00-295	126A	17-59	18560-27KA0-000	427A	1
12837-24A30-000	101A	8	12892-41C00-298	126A	17-60	18561-41K00-000	427A	7
12837-24A30-000	127A	8	12892-41C00-300	126A	17-61	18562-41K00-000	427A	8
12841-41K00-000	126A	6	12911-41K00-000	126A	10	18563-41K00-000	427A	13
12851-41K00-000	126A	7	12912-41K00-000	126A	11	18568-41K00-000	427A	9
12860-41K00-000	126A	8	12921-41K00-000	126A	13	18570-41K00-000	140A	15
12867-41K00-000	126A	9	12931-41K00-000	126A	15	18571-41K00-000	427A	4
12892-35G00-150	126A	17-1	12932-09G10-000	126A	16	18572-29J00-000	427A	5
12892-35G00-152	126A	17-2	12933-09G00-000	126A	12			
12892-35G00-155	126A	17-3	13110-41K00-000	140A	11			
12892-35G00-158	126A	17-4	13121-41K00-000	140A	16			
12892-35G00-160	126A	17-5	13128-41K00-000	140A	12			
12892-35G00-162	126A	17-6	13170-41K00-000	140A	17			
12892-35G00-165	126A	17-7	13400-41K00-000	140A	1	21111-41KA0-000	120A	8
12892-35G00-168	126A	17-8	13417-09JA0-000	140A	2	21112-41KA0-000	120A	9
12892-35G00-170	126A	17-9	13421-42J00-000	140A	3	21114-41K00-000	120A	10
12892-35G00-172	126A	17-10	13438-09JA0-000	140A	4	21200-41KA0-000	201A	1
12892-35G00-175	126A	17-11	13602-06128-000	140A	5	21251-41K10-000	201A	3
12892-35G00-178	126A	17-12	13640-41K00-000	107A	4	21411-41K00-000	201A	4
12892-35G00-180	126A	17-13	13700-41810-000	155A	6	21441-41K00-000	201A	10
12892-35G00-182	126A	17-14	13700-41K00-000	155A	1	21442-41K00-000	201A	9
12892-35G00-185	126A	17-15	13725-41K00-000	155A	2	21451-41K00-000	201A	11
12892-35G00-188	126A	17-16	13740-41K00-000	155A	3	21462-41K00-000	201A	12
12892-35G00-190	126A	17-17	13746-41K00-000	155A	4	21471-41K00-000	201A	7
12892-35G00-192	126A	17-18	13746-41K00-000	155A	7	21472-41K00-000	201A	8
12892-35G00-195	126A	17-19	13761-41K00-000	155A	5	21481-41K00-000	201A	13
12892-35G00-198	126A	17-20	13826-41K00-000	155A	10	21482-41K00-000	201A	14
12892-35G00-200	126A	17-21	13841-20L00-000	155A	17	23121-41K00-000	201A	15
12892-35G00-202	126A	17-22	13853-41K00-000	155A	12	23122-41K00-000	201A	18
12892-35G00-205	126A	17-23	13859-41B10-000	155A	14	23271-41K00-000	201A	22
12892-35G00-208	126A	17-24	13881-41K00-000	155A	8	24121-41KA0-000	206A	1
12892-35G00-210	126A	17-25	13891-41K00-000	155A	9	24130-41KA0-000	206A	7
12892-35G00-212	126A	17-26	14181-14D10-000	101A	9	24221-41KA0-000	206A	2
12892-35G00-215	126A	17-27	14181-14D10-000	163A	2	24231-41KA0-000	206A	3
12892-35G00-218	126A	17-28	14310-41K40-000	163A	1	24251-41KA0-000	206A	6
12892-35G00-220	126A	17-29	14761-20L00-000	163A	19	24252-41KA0-000	206A	5
12892-35G00-222	126A	17-30	14780-20L00-000	163A	4	24261-41KA0-000	206A	4
12892-35G00-225	126A	17-31	14791-20L00-000	163A	18	24311-41KA0-000	206A	8
12892-35G00-228	126A	17-32	14795-10FA0-000	163A	9	24321-41KA0-000	206A	10
12892-41C00-230	126A	17-33	15100-41K00-000	172A	1	24331-41KA0-000	206A	11
12892-41C00-232	126A	17-34	15121-34JB1-000	172A	4	24341-41KA0-000	206A	12
12892-41C00-235	126A	17-35	15201-34JB0-000	172A	5	24351-41KA0-000	206A	14
12892-41C00-238	126A	17-36	15420-34JB0-000	172A	2	24361-41KA0-000	206A	13

PART NO.	FIG.NO.	REF NO.	PART NO.	FIG.NO.	REF NO.	PART NO.	FIG.NO.	REF NO.
24741-20A10-000	206A	26	34810-20L00-000	172A	8	41100-20L00-000	401A	1
24741-20A10-000	212A	7	34938-14F00-000	533A	9	41542-41K00-000	406A	1
24751-41K00-000	206A	24	35100-20L00-000	333A	1	41933-34J00-000	401A	9
25211-14D10-000	212A	1	35157-34J00-000	474A	1	41980-41K00-000	401A	2
25231-14D10-000	212A	2	35159-20L00-000	333A	2	41990-20L00-000	401A	7
25311-41K00-000	212A	5	35222-34J80-000	334A	2	41994-41K00-000	401A	5
25350-34J20-000	212A	9	35222-34J80-000	334A	8	42310-20L00-000	407A	1
25355-34J10-000	212A	12	35601-20LE0-000	334A	1	42341-27K00-000	407A	2
25357-34J00-000	212A	10	35602-20LE0-000	334A	7	42360-41K00-000	407A	4
25381-34J00-000	212A	13	35603-20L50-000	334A	17	42423-48H00-000	407A	5
25411-48H00-000	212A	3	35604-20L50-000	334A	23	42424-48H00-000	407A	6
25421-14D10-000	212A	4	35616-34J00-000	334A	3	43110-34J20-000	407A	8
25510-41K00-000	212A	16	35616-34J00-000	334A	9	43130-24A70-000	530A	5
25512-28G10-000	212A	25	35616-34J00-000	334A	18	43130-24A70-000	550A	17
25515-34J00-000	212A	20	35616-34J00-000	334A	24	43211-23J00-000	407A	11
25518-34J00-000	212A	18	35623-34J00-000	334A	4	43232-34J00-000	350A	12
25520-41K11-000	212A	21	35623-34J00-000	334A	10	43510-20L00-000	415A	1
25525-20L00-000	212A	24	35623-34J00-000	334A	19	43520-20L00-000	415A	2
25600-41K10-000	212A	26	35623-34J00-000	334A	25	43529-34J10-000	415A	19
25617-03F20-000	212A	34	35623-34J00-000	334A	5	43530-06L00-000	415A	8
25652-05J00-000	212A	27	35623-34J30-000	334A	11	43540-06L00-000	415A	9
25671-28G00-000	212A	19	35623-34J30-000	334A	20	43551-06L00-000	415A	4
27511-41K00-000	206A	30	35623-34J30-000	334A	26	43552-06L00-000	415A	10
27531-41K00-000	206A	29	35623-34J40-000	334A	6	43571-20L00-000	415A	14
27610-41K00-114	206A	33	35623-34J40-000	334A	12	43572-20L00-000	415A	15
27620-41K00-000	206A	34	35623-34J40-000	334A	21	43576-48B80-000	415A	13
			35623-34J40-000	334A	27	43585-27K00-000	401A	4
			35629-34J30-000	334A	13	43611-37H70-000	415A	17
			35629-34J30-000	334A	29	43621-37H70-000	415A	18
			35710-20L00-000	339A	1	44100-20L00-000	420A	1
			35910-23K10-000	339A	6	44171-20L00-YKV	423A	2
			35913-23K00-000	339A	7	44181-20L00-YVB	423A	3
			35950-20L00-000	333A	7	44191-20L00-YVB	423A	4
			35970-28G00-000	339A	10	44200-34860-000	420A	2
			36610-20L20-000	350A	1	44240-13H00-000	427A	12
31100-41K00-000	301A	1	36852-20L10-000	350A	18	44271-20L00-000	423A	5
31150-41K00-000	301A	2	36990-20L00-000	355A	4	44271-41K00-000	420A	4
31156-41K00-000	301A	3	36990-20L10-000	466A	1	44272-20L00-000	423A	6
31175-41K00-000	301A	4	36990-44J10-000	334A	14	44281-20L00-000	423A	7
31264-41K00-000	301A	6	36990-44J10-000	350A	8	44282-20L00-000	423A	8
31280-41K00-000	301A	5	36990-70F20-000	350A	7	44283-20L00-000	423A	9
31800-34J02-000	311A	1	37100-20L01-000	352A	2	44284-20L00-000	423A	10
32101-41K00-000	303A	1	37101-20891-000	352A	1	44285-20L00-000	423A	11
32102-41K00-000	303A	2	37146-41K00-000	352A	5	44295-41K00-000	423A	12
32371-41K00-000	303A	3	37152-30H00-000	352A	3	44423-41K00-000	420A	14
32371-41K10-000	303A	4	37200-27K2					

PART NO.	FIG.NO.	REF NO.	PART NO.	FIG.NO.	REF NO.	PART NO.	FIG.NO.	REF NO.
45213-28G20-000	505A	7	51156-34J00-000	521A	32	56278-20L00-000	462A	2
45220-28G21-000	505A	9	51158-34J00-000	521A	14	56500-34J00-000	464A	1
45280-20L00-000	505A	11	51158-34J00-000	521A	34	56600-34J00-000	464A	2
45288-20L00-000	505A	14	51167-34J00-000	521A	15	57110-30H11-000	467A	1
45289-11F00-000	505A	13	51167-34J00-000	521A	35	57211-22D12-000	467A	8
45300-20L00-CDC	505A	6	51171-20L00-000	521A	6	57300-41K00-000	467A	2
45316-41K00-000	505A	3	51171-20L00-000	521A	26	57318-30H00-000	537A	5
46311-20L00-000	412A	1	51172-34J00-000	521A	5	57341-41KA1-000	472A	1
47111-20L00-YHG	446A	1	51172-34J00-000	521A	25	57346-41KA0-000	462A	3
47112-20L00-000	446A	12	51173-34J00-000	521A	11	57421-41K00-000	467A	4
47121-20L00-000	446A	8	51173-34J00-000	521A	31	57431-30H20-000	467A	3
47122-20L00-000	446A	9	51176-20L00-000	521A	4	57431-41K00-000	467A	11
47123-41K00-000	446A	2	51176-20L00-000	521A	24	57433-30H10-000	467A	5
47123-41K00-000	460A	1	51177-34J00-000	521A	9	57441-41K00-000	467A	14
47131-20L00-QVN	445A	8-3	51177-34J00-000	521A	29	57442-41K00-000	467A	15
47131-20L00-YU1	445A	8-1	51181-34J00-000	521A	3	57460-14J02-000	467A	6
47131-20L00-YVB	445A	8-2	51181-34J00-000	521A	23	57465-17C00-000	467A	7
47132-20L00-000	445A	9	51195-34J00-000	521A	17	57472-20L00-000	472A	2
47161-23J00-000	339A	2	51195-34J00-000	521A	37	57500-41K00-000	467A	9
47161-23J00-000	460A	2	51196-34J00-000	521A	7	57541-41KA1-000	472A	3
47162-30H00-000	420A	12	51196-34J00-000	521A	27	57621-41K00-000	467A	10
47162-30H00-000	445A	1	51311-20L00-291	524A	5	57661-41K00-000	467A	16
47211-20L00-YHG	446A	3	51321-41K00-000	524A	11	57672-20L00-000	472A	4
47212-20L00-000	446A	13	51328-34J00-000	524A	6	58200-20L00-000	466A	2
47221-20L00-000	446A	10	51331-41K00-291	524A	10	58300-20L00-000	466A	3
47231-20L00-QVN	445A	10-3	51344-41K00-000	524A	7	58300-20L10-000	466A	4
47231-20L00-YU1	445A	10-1	51353-41K00-000	524A	8	58634-41K10-000	466A	5
47231-20L00-YVB	445A	10-2	51356-34J00-000	524A	9	59100-34860-000	535A	3
47311-20L00-000	445A	2	51410-20L00-000	524A	1	59310-34870-000	535A	2
47315-41K00-000	445A	3	51434-41K00-000	524A	4	59100-34J50-000	535A	1
47315-41K00-000	446A	14	51600-41800-000	524A	20	59108-34J00-000	535A	8
47315-41K00-000	485A	7	51611-20002-000	524A	17	59108-34J00-000	555A	8
47349-34J01-000	423A	16	51611-33002-000	524A	18	59109-34J00-000	535A	9
47410-20L00-000	474A	11	51621-28000-000	524A	15	59109-34J00-000	555A	9
47421-20L00-000	406A	6	51622-41K00-000	524A	3	59121-30H00-000	535A	16
47431-20L00-000	406A	2	51631-28000-000	524A	13	59121-30H00-000	555A	14
47435-34J00-000	497A	1	51643-25001-000	524A	14	59122-30H00-000	535A	17
47512-28K00-000	415A	11	51644-41K00-000	524A	2	59122-30H00-000	555A	15
48178-31C00-000	406A	3	51831-30H00-000	333A	4	59140-34810-000	535A	4
			53111-20L00-000	460A	3	59141-34J10-000	535A	5
			53275-34J00-000	339A	3	59145-34J00-000	535A	14
			53275-34J00-000	460A	4	59187-34J00-000	535A	11
			54111-20L01-QC3	530A	1	59187-34J00-000	555A	11
			54162-20L00-000	530A	11	59188-34J00-000	535A	12
			54162-41K00-000	550A	9	59200-20L00-000	536A	2
51103-20L00-291	521A	1	54771-41K00-000	530A	7	59211-20L00-000	530A	9
51104-20L00-291	521A	21	54731-41K00-000	530A	2	59218-34J20-000	530A	10
51110-20L00-000	521A	10	54751-41K00-000	530A	8	59218-34J20-000	550A	8
51110-20L00-000	521A	30	54841-48H10-000	530A	3	59260-20L00-000	536A	6
51113-27K00-000	521A	2	55110-20L01-000	530A	6	59315-34J00-000	535A	7
51113-27K00-000	521A	22	55411-41K00-000	530A	13-1	59351-34J00-000	535A	10
51121-34J00-000	521A	16	55411-41K00-000	550A	28-1	59382-34J00-000	535A	13
51121-34J00-000	521A	36	55412-41K00-000	530A	13-2	59400-20L00-000	536A	1
51131-20L00-291	521A	18	55412-41K00-000	550A	28-2	59492-30H40-000	536A	3
51141-20L00-291	521A	38	55413-41K00-000	530A	13-3	59492-30H40-000	558A	4
51146-20L00-000	521A	8	55413-41K00-000	550A	28-3	59502-30H00-000	536A	4
51146-20L00-000	521A	28	55610-20L00-000	533A	1	59502-30H00-000	558A	5
51147-34J00-000	521A	41	55660-41K00-000	533A	2	59541-41K10-000	536A	8
51147-41K00-000	521A	20	55661-34J00-000	533A	4	59600-30H50-000	537A	1
51147-41K00-000	521A	40	55662-10G00-000	533A	5	59610-30H00-000	537A	4
51148-34J00-000	521A	19	55663-34J00-000	533A	6	59665-30H00-000	537A	3
51148-34J00-000	521A	39	55710-20L00-000	533A	7	59665-34J00-000	535A	15
51153-34J00-000	521A	13	55734-27K00-000	533A	15	59667-12K00-000	537A	6
51153-34J00-000	521A	33	56110-20L00-000	462A	1	59668-30H00-000	537A	10
51156-34J00-000	521A	12	56246-41K00-000	524A	12	59669-30H00-000	537A	12

PART NO.	FIG.NO.	REF NO.	PART NO.	FIG.NO.	REF NO.	PART NO.	FIG.NO.	REF NO.
59671-30H00-000	537A	8	68183-20L00-CDZ	485A	1-1	94417-20L00-000	481A	28
59687-23K00-000	537A	7	68183-20L00-JSP	485A	1-2	94421-20L10-QVN	481A	6-3
59688-30H00-000	537A	9	68184-20L00-AA3	485A	2-2	94421-20L10-YU1	481A	6-1
59691-30H00-000	537A	11	68184-20L00-CD1	485A	2-1	94421-20L10-YVB	481A	6-2
59735-27K00-000	558A	27	68184-20L00-CD2	485A	2-3	94431-20L10-QVN	481A	7-3
59746-34J00-000	535A	6	68185-20L00-CDT	485A	3-1	94431-20L10-YU1	481A	7-1
59870-30H00-000	537A	2	68185-20L00-CDU	485A	3-2	94431-20L10-YVB	481A	7-2
			68185-20L00-CDV	485A	3-3	94433-05J00-000	445A	12
			68192-20L00-CDU	481A	25-2	94433-05J00-000	474A	9
			68192-20L00-CDV	481A	25-3	94441-20L00-QVN	485A	9-3
			68192-20L00-CDW	481A	25-1	94441-20L00-YU1	485A	9-1
			68193-20L00-CC7	485A	4-3	94441-20L00-YVB	485A	9-2
			68193-20L00-CDZ	485A	4-1	94442-20L00-000	485A	10
			68193-20L00-JSP	485A	4-2	94451-20L00-QVN	485A	11-3
			68194-20L00-AA3	485A	5-2	94451-20L00-YU1	485A	11-1
			68194-20L00-CD1	485A	5-1	94451-20L00-YVB	485A	11-2
			68194-20L00-CD2	485A	5-3	94452-20L00-000	485A	12
			68195-20L00-CDT	485A	6-1	94460-20L00-000	483A	4
			68195-20L00-CDU	485A	6-2	94471-20L00-000	481A	8
			68195-20L00-CDV	485A	6-3	94481-20L00-000	481A	9
61100-20L10-000	541A	1	68281-44K00-000	423A	1	94491-20L00-000	485A	13
61211-30H00-000	541A	9	68319-39J00-000	496A	1	94510-20L00-000	481A	10
61251-41K00-000	541A	4	68332-20L00-000	496A	2	94530-20L00-000	485A	14
61262-41K00-000	541A	6	68391-20L00-000	412A	3	94540-20L00-000	485A	15
61273-41K00-000	541A	10	68100-20L00-000	555A	1	94570-20L00-000	483A	1
61280-41K00-000	541A	2	61455-41K00-000	550A	26	94580-20L00-000	483A	2
61311-20L00-000	542A	1	62100-20L00-28W	545A	1	94611-20L00-000	481A	26
61410-41K00-000	550A	11	62658-47H00-000	545A	2	94621-34J10-000	481A	11
61421-41K00-000	550A	12	62668-30B00-000	545A	5	94642-10GA0-000	446A	15
61445-41K00-000	550A	14	63111-20L00-000	474A	2	95700-09870-000	505A	15
			63112-20L00-000	474A	3	96127-27K00-000	555A	13
			63114-41K00-000	423A	17	69200-20L00-000	558A	1
			63114-41K00-000	445A	11	69211-20L00-000	550A	7
			63118-41K00-000	472A	5	69345-27K00-000	555A	5
			63118-41K00-000	474A	4	69400-20L00-000	558A	2
			63191-34J00-000	474A	5	69600-41810-000	558A	9
			64111-20L01-QC3	550A	1	69600-41K00-000	558A	8
			64511-41K00-000	550A	20	69665-27K00-000	558A	13
			64541-41K00-000	550A	18	69666-27K00-000	558A	10
			64611-01D10-000	550A	19	69667-27K00-000	558A	22
			64651-20L00-000	550A	2	69668-27K00-000	558A	24
			64711-41K00-000	550A	27	69669-27K00-000	558A	23
			64721-41K00-000	550A	15	69671-41K00-000	558A	14
			64731-41K00-000	550A	3	69689-27K00-000	558A	21
			64733-01D00-000	550A	22	69692-41K00-000	558A	11
			64741-41K00-000	550A	6	69693-27K00-000	558A	12
			64751-41K00-000	550A	25	69720-20L00-000	555A	10
			64831-41K00-000	550A	24	69731-41K00-000	558A	26
			64841-41K00-000	550A	5	69740-27K00-000	558A	20
			65110-20L01-000	550A	16	69746-27K00-000	555A	6
			65710-20L00-000	533A	11	69872-27K00-000	558A	15
			65741-41K00-000	533A	13			
			68135-20L00					

SUZUKI DS250RLM4_P24 PART CATALOGUE

1ST EDITION

Published in 2024-03

© 2024 Suzuki Motor Corporation. All rights reserved.

No part of this document may be reproduced or transmitted in any form or by any means, electronic or mechanical, for any purpose, without the express written permission of Suzuki Motor Corporation.

SUZUKI MOTORCYCLE INDIA PRIVATE LIMITED,

Spare Parts Department

Village Kherki Dhaula, Badshahapur, NH-8,

Link Road, Gurgaon 122004 (HARYANA)

Reprint Prohibited (S)

1

INFORMATION
ILLUSTRATION INDEX

2

ENGINE
TRANSMISSION

3

ELECTRICAL

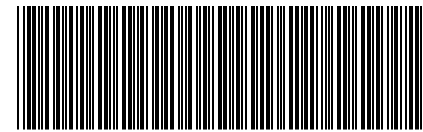
4

BODY

5

PARTS NUMBER INDEX

SUZUKI MOTORCYCLE INDIA PVT. LTD.



9900BF20LP0C015

9900BF20LP0C015

